

FZH series

Maximum working pressure up to 70 Mpa (700 bar) - Flow rate up to 80 l/min



INSTALLATION, SERVICE AND MAINTENANCE MANUAL AND SAFETY INSTRUCTIONS



FZH012



FZH040

Please scan the QR codes
to get updated electronic version
of the related document.



Description

Technical data

Stainless steel high pressure filters

In-line

Maximum working pressure up to 80 Mpa (700 bar)

Flow rate up to 80 l/min

FZH is a range of stainless steel high pressure filter for protection of sensitive components in high pressure hydraulic systems placed in difficult environmental conditions.

They are directly connected to the lines of the system through the hydraulic fittings.

Available features:

- 1/2" female threaded connections, for a maximum flow rate of 80 l/min
- Fine filtration rating, to get a good cleanliness level into the system
- Bypass valve, to relieve excessive pressure drop across the filter media
- Low collapse filter element "N", for use with filters provided with bypass valve
- High collapse filter element "H", for use with filters not provided with bypass valve
- Low collapse filter element with external support "R", for filter element protection against the back pressure caused by the check valve or the reverse flow in filters provided with the bypass valve
- High collapse filter element with external support "S", for filter element protection against the back pressure caused by the check valve or the reverse flow in filters not provided with the bypass valve
- High collapse filter element "U", for use with aggressive fluids
- Visual, electrical and electronic differential clogging indicators

Common applications:

- Off-shore equipment
- Water filtration systems
- Systems with strong or corrosive environmental conditions
- Systems with corrosive fluids

Filter housing materials

- Head: AISI 316L
- Housing: AISI 316L
- Bypass valve: AISI 316L

Seals

- Standard NBR series A (-25 °C to +110 °C)
- Optional FPM series V (-20 °C to +120 °C)
- Optional MFQ series F (-50 °C to +120 °C)

Bypass valve

Opening pressure 6 bar ±10%

Temperature

From -50 °C to +120 °C

Note

FZH filters are provided for vertical mounting

Δp element type

Fluid flow through the filter element from OUT to IN

Microfibre filter elements - series N-R: 20 bar.

Element series "N - R":

- End cap: Polyamide
- Core tube: Tinned steel
- External/Internal support: Wire mesh Epox painted
- Media/Support/Pre-filter: Microfibre/Syntetic

Microfibre filter elements - series H-S: 210 bar.

Element series "H - S":

- End cap: Tinned steel
- Core tube: Tinned steel
- External support: Wire mesh Epox painted
- Internal support: Wire mesh Stainless steel
- Media/Support/Pre-filter: Microfibre/Syntetic

Stainless Steel Microfibre filter elements series U: 210 bar.

Element series "U":

- End cap: Stainless steel
- Core tube: Stainless steel
- External support: Stainless steel
- Internal support: Stainless steel
- Media/Support/Pre-filter: Microfibre/Syntetic

Weights [kg] and volumes [dm³]

Filter series	Weights [kg]				Volumes [dm ³]					
	Length	1	2	3	4	Length	1	2	3	4
FZH 012		2.1	2.2	2.7	3.3		0.10	0.12	0.15	0.20
FZH 040		-	4.5	5.1	5.6		-	0.19	0.26	0.34

FILTER ASSEMBLY SIZING Flow rates [l/min]

Filter series	Length	Filter element design - N Series					Filter element design - H-U Series				
		A03	A06	A10	A16	A25	A03	A06	A10	A16	A25
FZH 012	1	4	6	8	9	11	3	5	6	7	9
	2	7	9	17	20	26	5	7	14	17	23
	3	11	14	25	27	32	11	14	24	27	32
	4	17	20	29	31	34	13	16	26	29	33

Filter series	Length	Filter element design - R Series					Filter element design - S-U Series				
		A03	A06	A10	A16	A25	A03	A06	A10	A16	A25
FZH 040	2	19	25	43	50	59	19	23	41	45	55
	3	34	37	53	62	74	31	34	48	52	66
	4	42	46	63	72	81	38	41	55	71	78

Maximum flow rate for a complete stainless steel high pressure filter with a pressure drop $\Delta p = 1.5$ bar.

The reference fluid has a kinematic viscosity of 30 mm²/s (cSt) and a density of 0.86 kg/dm³.

For different pressure drop or fluid viscosity we recommend to use our selection software available on www.mpfiltri.com.

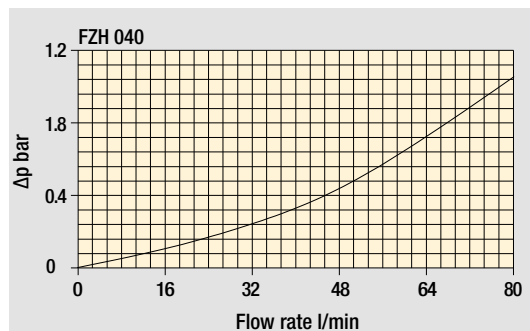
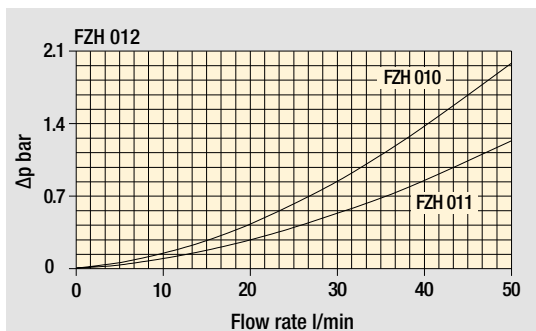
You can also calculate the right size using the formulas present on the FILTER SIZING paragraph at the beginning of the full catalogue or at the beginning of the filter family brochure. Please, contact our Sales Department for further additional information.

Hydraulic symbols

Filter series	Style S	Style B	Style T	Style D	Style V	Style Z
FZH 012	•	•	-	-	•	•
FZH 040	•	•	•	•	•	•

Pressure drop

Filter housings Δp pressure drop



The curves are plotted using mineral oil with density of 0.86 kg/dm³ in compliance with ISO 3968. Δp varies proportionally with density.

Designation & Ordering code

COMPLETE FILTER

Configuration example: **FZH012** **2** **B** **F** **B** **2** **A03** **U** **P01**

Filter Series and size
FZH012

Filter length
1 | **2** | **3** | **4** |

Valves
S Without bypass
B With bypass 6 bar
V With reverse flow, without bypass
Z With reverse flow, with bypass 6 bar

Seals
A NBR
V FPM
F MFQ

Connections
A G 1/4"
B 1/4" NPT
C SAE 5 - 1/2" - 20 UNF
D G 3/8"
E 3/8" NPT
F SAE 6 - 9/16" - 18 UNF

Connection for differential pressure indicator
1 Without connection
2 With connection

Filtration rating (filter media)	Valves			
	S	B	V	Z
A03 Inorganic microfiber 3 µm	-	•	-	•
A06 Inorganic microfiber 6 µm	-	•	-	•
A10 Inorganic microfiber 10 µm	•	-	•	-
A16 Inorganic microfiber 16 µm	•	-	•	-
A25 Inorganic microfiber 25 µm	•	•	•	•

Element Δp	Valves				Execution
	S	B	V	Z	
N 20 bar	-	•	-	•	P01 MP Filtri standard
H 210 bar	•	-	•	-	Pxx Customized
U 210 bar, stainless steel filter element	•	•	•	•	

FILTER ELEMENT

Configuration example: **HP011** **2** **A03** **F** **U** **P01**

Element series and size
HP011

Element length
1 | **2** | **3** | **4** |

Filtration rating (filter media)	Valves			
	S	B	V	Z
A03 Inorganic microfiber 3 µm	-	•	-	•
A06 Inorganic microfiber 6 µm	-	•	-	•
A10 Inorganic microfiber 10 µm	•	-	•	-
A16 Inorganic microfiber 16 µm	•	-	•	-
A25 Inorganic microfiber 25 µm	•	•	•	•

Element Δp	Valves				Execution
	S	B	V	Z	
N 20 bar	-	•	-	•	P01 MP Filtri standard
H 210 bar	•	-	•	-	Pxx Customized
U 210 bar, stainless steel filter element	•	•	•	•	

CLOGGING INDICATORS

See page 718

DEX Electrical differential pressure indicator
DLX Electrical/visual differential pressure indicator

DVX Visual differential pressure indicator
DVY Visual differential pressure indicator

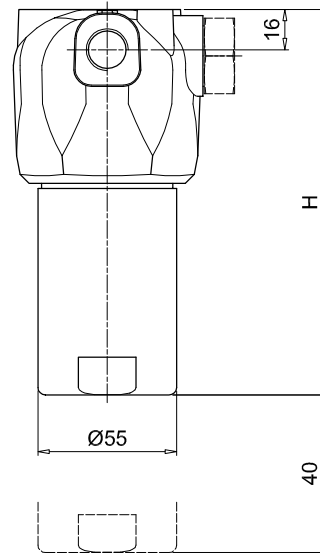
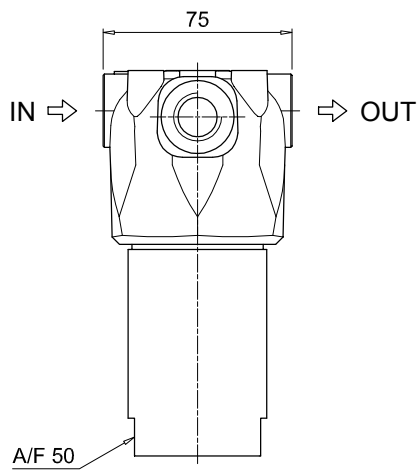
PLUGS

See page 737

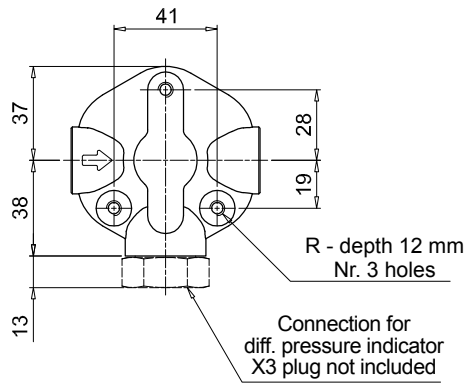
X2 Stainless steel plug (not included)

FZH012	
Filter length	H [mm]
1	93
2	104
3	154
4	204

Connections	R
A	M6
B - C	1/4" UNC
D	M6
E - F	1/4" UNC



Recommended clearance space for maintenance



Designation & Ordering code

COMPLETE FILTER

Configuration example: **FZH040** **2** **T** **A** **A** **2** **A03** **S** **P01**

Filter Series and size
FZH040

Filter length
2 | **3** | **4** |

Valves
S Without bypass
B With bypass 6 bar
T With check valve, without bypass
D With check valve, with bypass 6 bar
V With reverse flow, without bypass
Z With reverse flow, with bypass 6 bar

Seals
A NBR **F** MFQ
V FPM

Connections
A G 1/2"
B 1/2" NPT
C SAE 8 - 3/4" - 16 UNF

Connection for differential pressure indicator
1 Without connection
2 With connection

Filtration rating (filter media)

A03	Inorganic microfiber	3 µm
A06	Inorganic microfiber	6 µm
A10	Inorganic microfiber	10 µm
A16	Inorganic microfiber	16 µm
A25	Inorganic microfiber	25 µm

Element Δp	S	B	T	D	V	Z
R 20 bar	-	•	-	•	-	•
S 210 bar	•	-	•	-	•	-
U 210 bar, stainless steel filter element	•	•	•	•	•	•

Valves

Valves	S	B	T	D	V	Z
P01 MP Filtri standard	-	•	-	•	-	•
Pxx Customized	•	-	•	-	•	-

FILTER ELEMENT

Configuration example: **HP039** **2** **A03** **A** **S** **P01**

Element series and size
HP039

Element length
2 | **3** | **4** |

Filtration rating (filter media)

A03	Inorganic microfiber	3 µm
A06	Inorganic microfiber	6 µm
A10	Inorganic microfiber	10 µm
A16	Inorganic microfiber	16 µm
A25	Inorganic microfiber	25 µm

Element Δp	S	B	T	D	V	Z
R 20 bar	-	•	-	•	-	•
S 210 bar	•	-	•	-	•	-
U 210 bar, stainless steel filter element	•	•	•	•	•	•

Valves

Valves	S	B	T	D	V	Z
P01 MP Filtri standard	-	•	-	•	-	•
Pxx Customized	•	-	•	-	•	-

Seals
A NBR **F** MFQ
V FPM

CLOGGING INDICATORS

See page 718

DEX Electrical differential pressure indicator

DLX Electrical/visual differential pressure indicator

DVX Visual differential pressure indicator

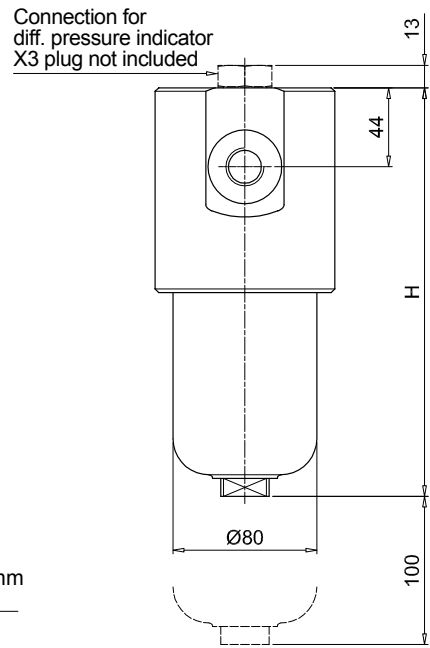
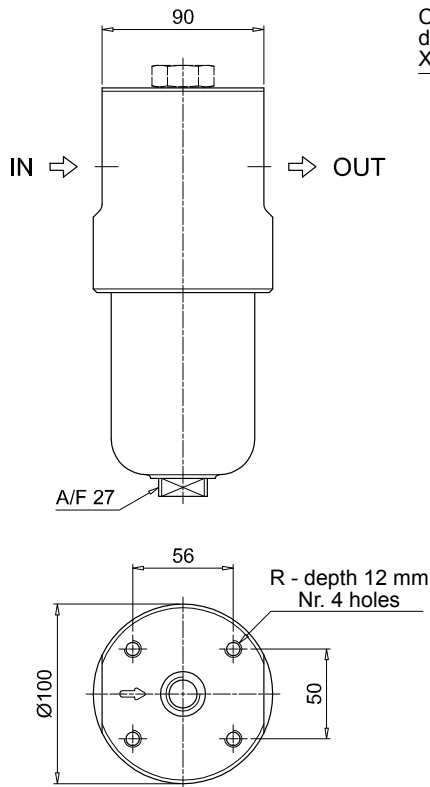
DVY Visual differential pressure indicator

PLUGS

See page 737

X2 Stainless steel plug (not included)

Valves S - B - T - D



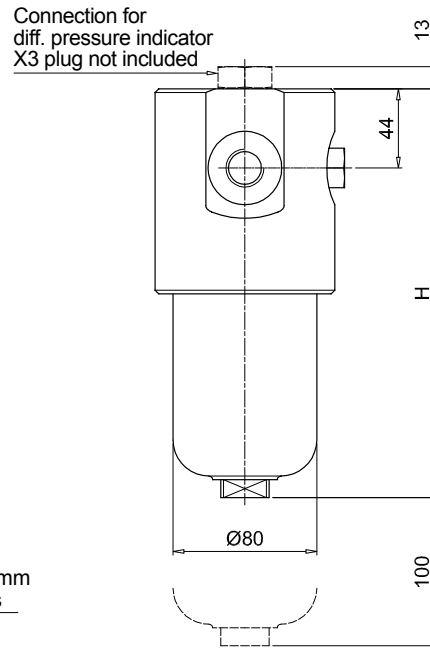
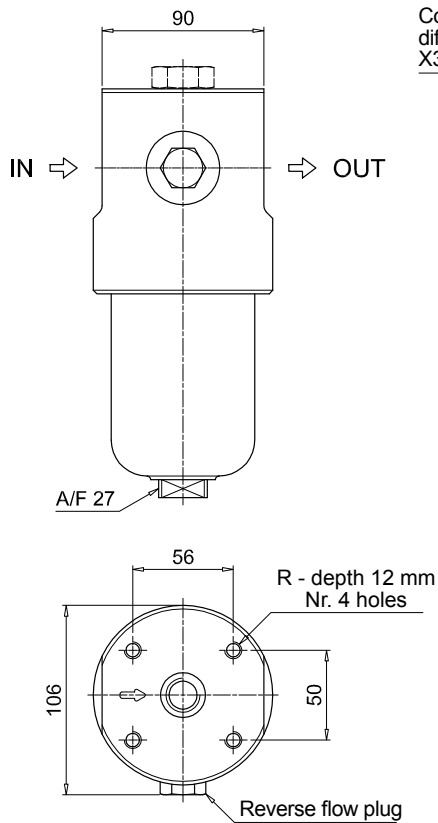
Recommended clearance space for maintenance

FZH040

Filter length	H [mm]
2	204
3	247
4	291

Connections	R
A	M10
B	3/8" UNC
C	3/8" UNC

Valves V - Z



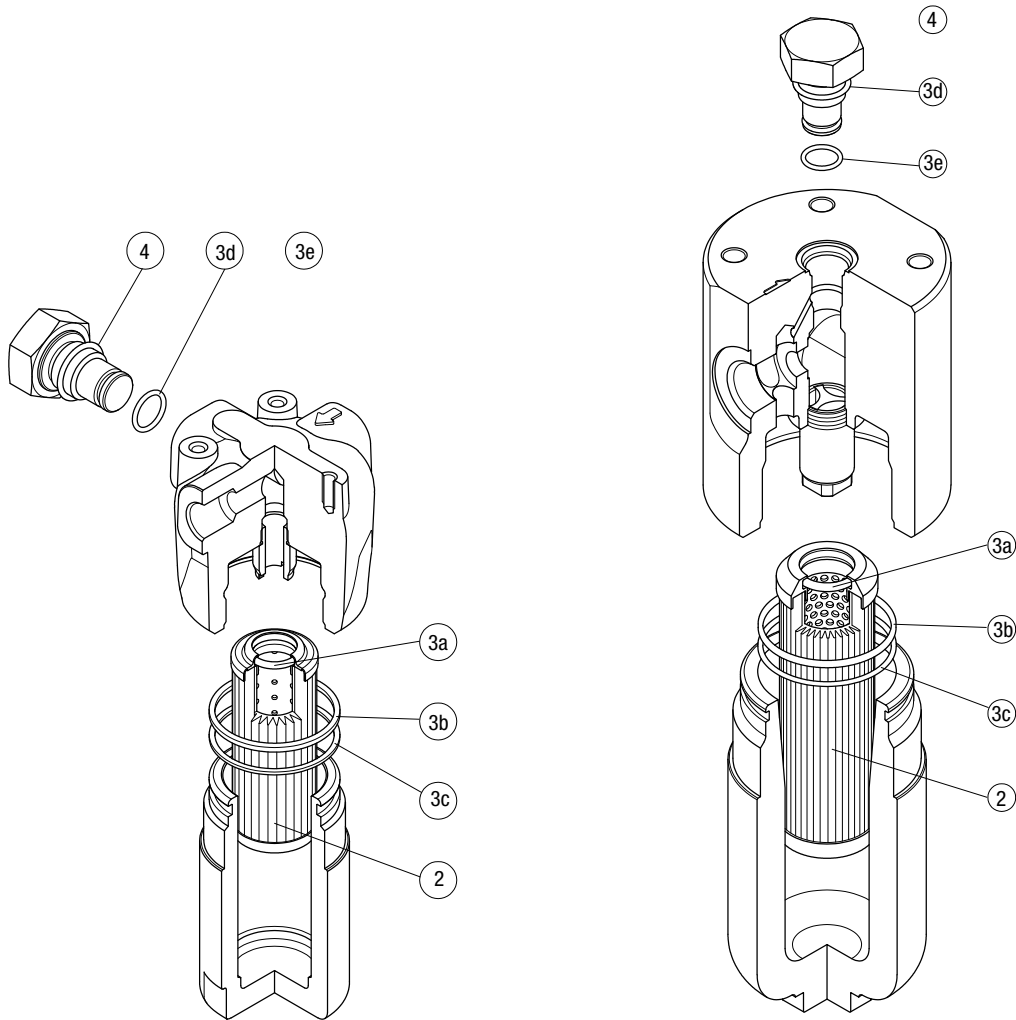
Recommended clearance space for maintenance

FZH SPARE PARTS

Order number for spare parts

FZH 012

FZH 040



Item:	Q.ty: 1 pc.	Q.ty: 1 pc.	Q.ty: 1 pc.
Filter series	Filter element	Seal Kit code number	Indicator connection plug
FZH 012	See order table	NBR	NBR
FZH 040	See order table	FPM	FPM
		02050856	02050857
		02050860	02050861
			X2H
			X2V

