

FILLER & DRAIN PLUGS

**TANK
ACCESSORIES**

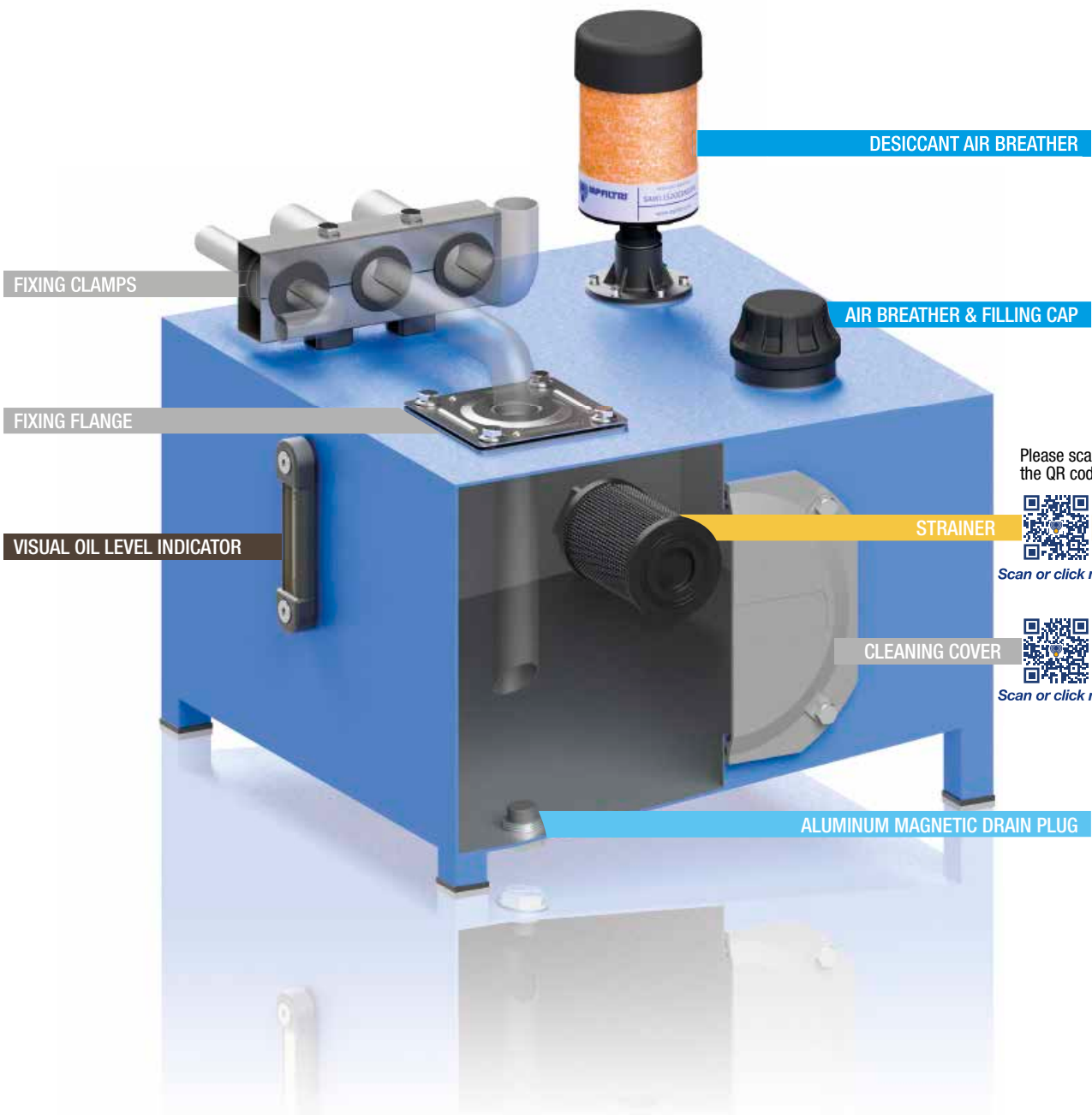
CATALOGUE



PASSION TO PERFORM



TANK ACCESSORIES



Please scan the QR codes:



Suction Filters

Scan or click me!



Power Transmission Accessories

Scan or click me!

1	page	INTRODUCTION
2		INDEX
4		COMPANY PROFILE
8		PRODUCT RANGE

10	page	AIR BREATHERS AND FILLER PLUGS
13	SAP 054-075 - SA	Air breathers
19	SAW 115	Moisture control desiccant air breathers
23	SCS	Metal air breathers with interchangeable filter element
29	SME 1 - SMF 1 - SML 1	Risers for breathers and filler caps installation
35	TA 46 - TAP 50 - SAP 50	Filler plug and air filter up to 200 l/min
43	TA 80	Steel filler plug and air filter up to 500 l/min
47	TAP 90	Filler plug and polyamide air filter up to 550 l/min
53	TAP 114	Filler plug and polyamide air filter up to 1600 l/min
57	TAP 115 & SAP 115	Filler plug and polyamide air filter up to 3000 l/min

62	page	FILLER AND DRAIN PLUGS
65	TC 50	Polyamide filler plug
69	TKT - TSD - TKM	Filler and draining plugs

76	page	VISUAL OIL LEVEL INDICATORS
79	LCP - LCC	Visual oil level indicator - round shape
85	LVA - LVU	Visual oil level indicator - vertical shape

90	page	ELECTRICAL OIL LEVEL INDICATORS
93	LEN - LEG - LET - LEM - LEU	Electric oil level indicator
95	LVK	Visual and Electric oil level indicator

110	page	ACCESSORIES
113	EM1	Pressure gauge isolator
119	SVM	Gauge selector valve
123	FTA - FTR	Oil tank fixing flange
127	MULTIFIT SFT	Fixing clamps

The filler plugs series is composed by different versions: with breather filter, with dipstick for measuring the reservoir fluid level or with anti-splash fins to prevent spillage of oil from the reservoir to be specifically used on mobile equipments.

Filler and Drain Plugs



TC 50 page 65
TKT - TSD - TKM 69

TC 50 series

Polyamide filler plug



TC 50 GENERAL INFORMATION

Technical data

Filler and Drain Plugs

Polyamide filler plug

TC50 is a range of plastic compact air breathers and filler plugs for protection of the tank against the solid contamination contained into the air and filling of the fluid into the systems during the commissioning and maintenance procedures. They are directly fitted on the tank.

Available features:

- G 1" male threaded connection, with or without nut
- Metal filtration, to hold the coarse contamination contained into the air
- Filling basket, to hold the coarse contamination contained into the fluid and to diffuse the fluid flow into the tank
- Caps with different graphics and colours, for the use in several applications

Common applications:

- Hydraulic systems
- Mobile machines
- Industrial equipment

Materials

- Cover: Polyamide
- Filter element: Galvanized steel
- Filler cap: Polyamide
- Strainer: Galvanized steel / Polyamide
AISI 304 / Polyamide
- Collar: Polyamide
- Seals: Inorganic fibre
- Ringnut: Phosphatized steel

Temperature

From -25 °C to +100 °C

Weight

TC 50 G1" conn. 0.70 kg

TC 50 with ringnut 0.10 kg

Quantity

25 pcs/pack



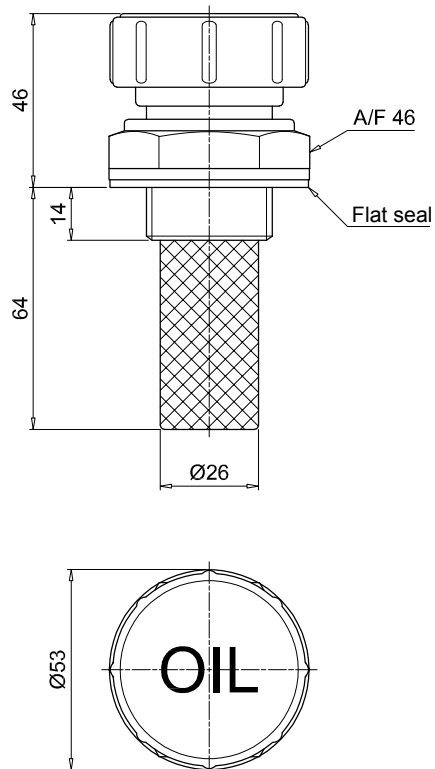
Designation & Ordering code

COMPLETE FILLER PLUG

Series		Configuration example :								
TC50		TC50	G1	L90	P	R	O	C70	P01	
Connections										
G1	G 1"									
GA	With ringnut									
Filtration rating										
L90	Galvanized steel									
Seals										
P	Inorganic fiber									
Cover colour										
R	Red									
Y	Yellow									
Cover wording										
O	Oil									
N	Neutral									
Basket										
S	Without basket									
C70	With basket 70 mm - galvanized steel									
I70	With basket 70 mm - AISI 304									
Execution										
P01	MP Filtri standard									
Pxx	Customized									

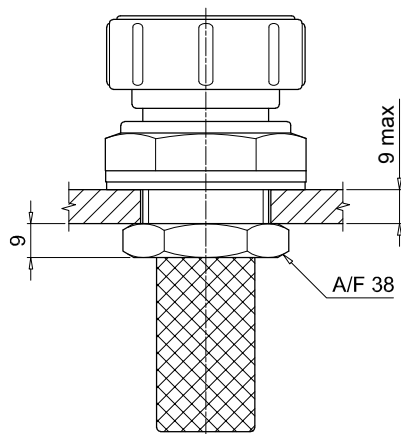
TC50

Threaded connection

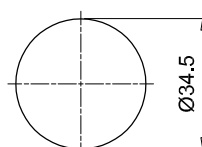


TC50

With ringnut



Through hole on the tank



TKT - TSD - TKM series

Filler and draining plugs



Technical data

Filler and draining plugs

Polyamide filler plug

TKT is a range of polyamide compact filler plugs for filling of the fluid into the systems during the commissioning and maintenance procedures. They are directly fitted on the tank.

Available features:

- Male threaded connections up to G 2"
- Breathing hole, to reduce the pressure inside the filter during the maintenance operations
- Caps with different graphics and colours, for the use in several applications
- Dipstick, to monitor the fluid level into the tank even in complicated positions
- Antisplash, to avoid fluid coming out through the air breather due to sloshing
- Labyrinth filter, to avoid fluid coming out through the air breather due to sloshing

Common applications:

- Hydraulic systems
- Mobile machines
- Industrial equipment

Materials

- Body: Polyamide
- Seals: NBR, Inorganic fibre
- Labyrinth: Polyamide
- Anti-splash feature: Resin impregnated paper
- Dipstick: Phosphatized steel

Temperature

From -25 °C to +100 °C

Weight

TKTG 13	5 g
TKTG 16	8 g
TKTG 20	10 g
TKTG 26	15 g
TKTG 33	30 g
TKTG 42	32 g
TKTG 60	35 g

Quantity

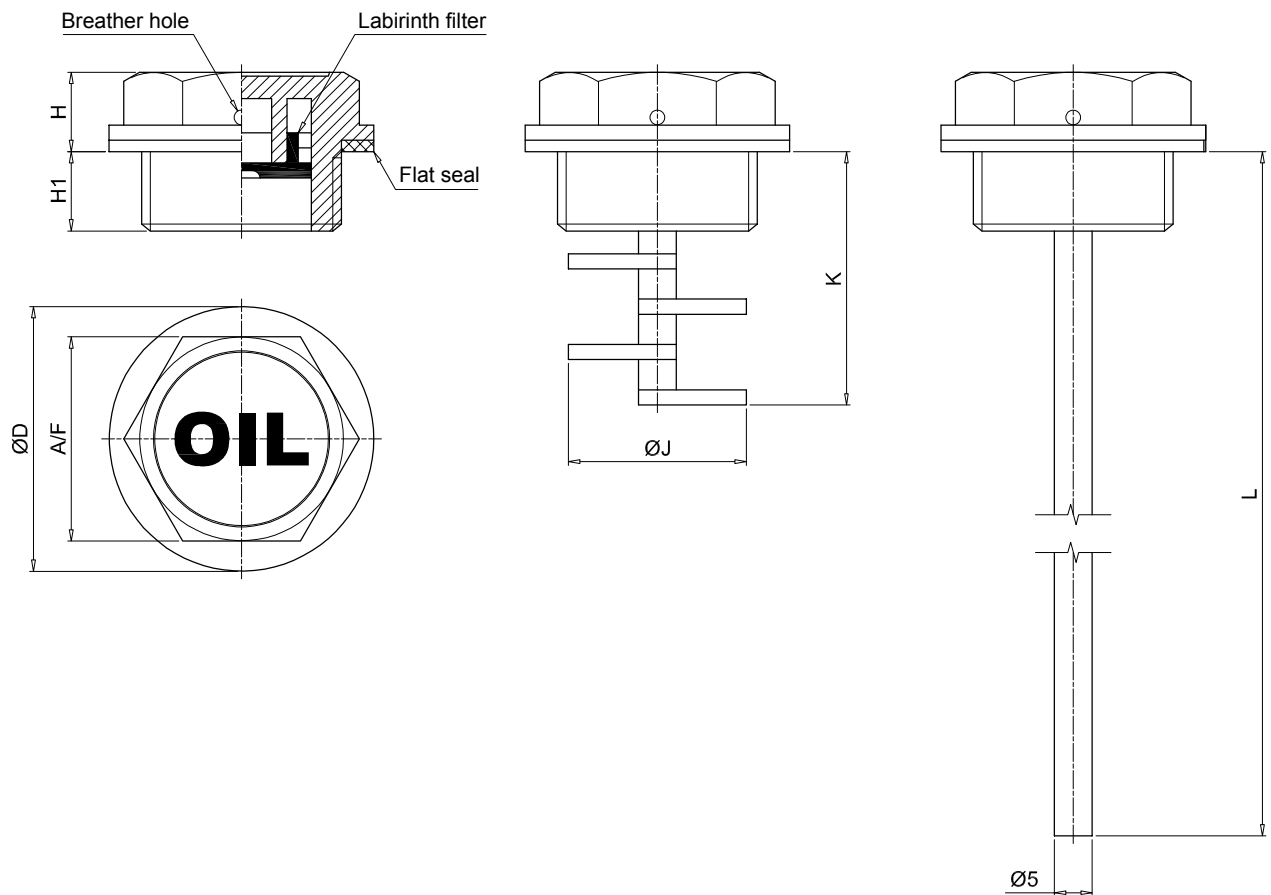
25 pcs/pack



Designation & Ordering code

COMPLETE FILLER PLUG

Series TKT	Configuration example : TKT G26 N N A F S P01									
Connections	Version									
	S	A	F	L						
G13 G 1/4"	•	•	-	•						
G16 G 3/8"	•	•	•	•						
G20 G 1/2"	•	•	•	•						
G26 G 3/4"	•	•	•	•						
G33 G 1"	•	•	•	-						
G42 G 1 1/4"	•	•	•	-						
G48 G 1 1/2"	•	•	•	-						
G60 G 2"	•	•	-	-						
Colour N Black polyamide										
Cover wording O Oil	N Neutral									
Seals	Version									
	S	A	F	L						
A NBR	-	•	•	-						
B Inorganic fiber	•	-	-	•						
Breather hole S Without breather hole	F With breather hole									
Version S Standard	F With anti-splash feature									
A With dipstick	L With labyrinth filter									
					Execution P01 MP Filtri standard					
					Pxx Customized					



Connections	ØD [mm]	A/F [mm]	H [mm]	H1 [mm]	ØJ [mm]	K [mm]	L [mm]
G13	20	17	8.5	7.5	-	-	205
G16	22	18	9.5	8.5	13.5	32	206
G20	28	22	9.5	9.5	17.5	33	207
G26	35	27	10.5	10.5	23.5	34	208
G33	42	34	10.5	10.5	29.5	36	201
G42	52	42	11	11	38	38	201
G48	58	47	11	11	38	36	201
G60	74	64	18	18	-	-	198

TSD GENERAL INFORMATION

Technical data

Filler / draining plugs

Polyamide filler plug

TSD is a range of polyamide compact air breathers and filler plugs for protection of the tank against the solid contamination contained into the air and filling of the fluid into the systems during the commissioning and maintenance procedures.

They are directly fitted on the tank.

Available features:

- Male threaded connections up to G 1 1/2"
- Metal filtration, to hold the coarse contamination contained into the air
- Caps with different graphics and colours, for the use in several applications
- Dipstick, to monitor the fluid level into the tank even in complicated positions
- Antisplash, to avoid fluid coming out through the air breather due to sloshing

Common applications:

- Hydraulic systems
- Mobile machines
- Industrial equipment

Materials

- Body: Polyamide
- Cover: Polyamide
- Seal: NBR
- Filter: Galvanized steel
- Anti-splash feature: Polyamide
- Dipstick: Phosphatized steel

Temperature

From -25 °C to +100 °C

Weight

TSDG16	15 g
TSDG20	25 g
TSDG26	28 g
TSDG33	60 g
TSDG42	69 g
TSDG48	74 g

Quantity

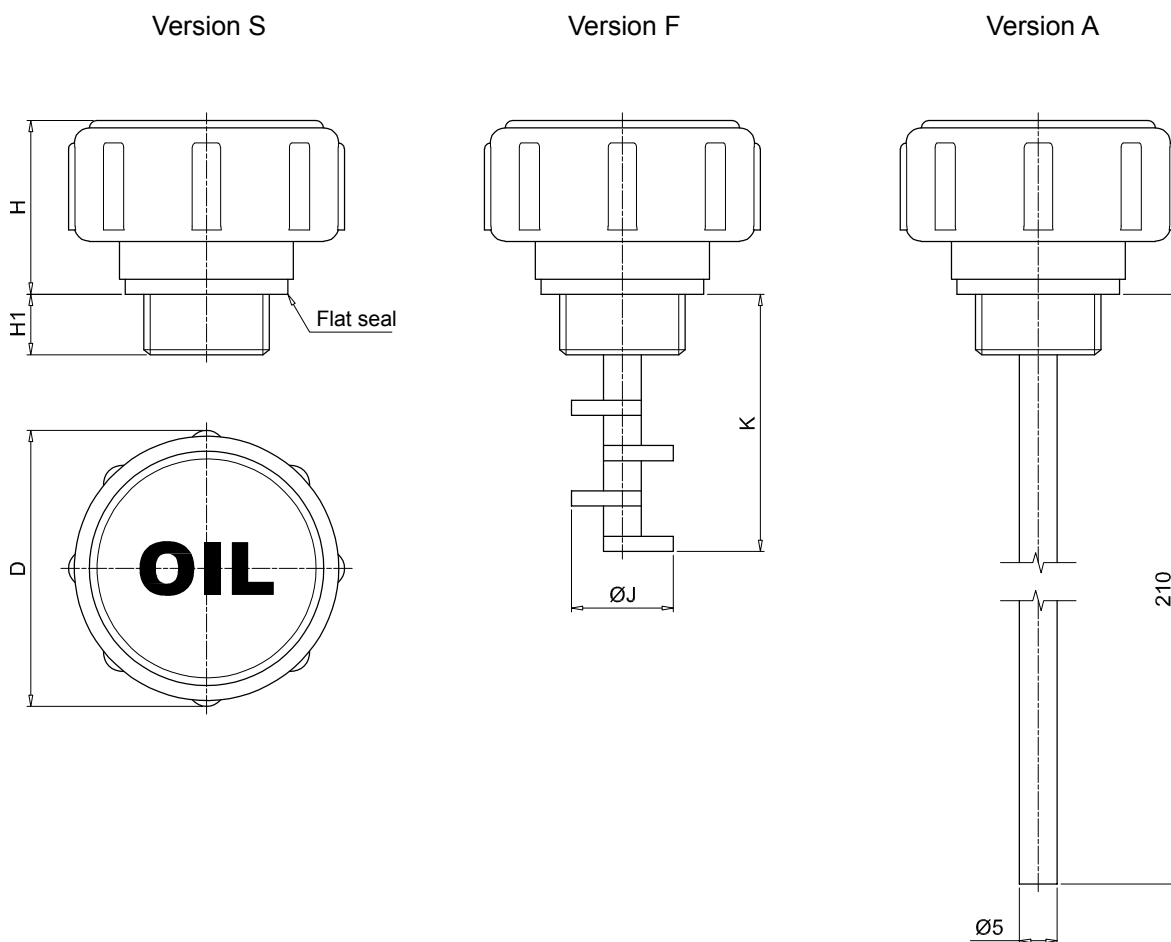
25 pcs/pack



Designation & Ordering code

COMPLETE FILLER PLUG

Series	Configuration example :							
TSD	TSD	G26	R	G	A	F	S	PO1
Connections								
G16	G 3/8"	G33	G 1"					
G20	G 1/2"	G42	G 1 1/4"					
G26	G 3/4"	G48	G 1 1/2"					
Cover colour								
R	Red	Y	Yellow					
Cover wording								
O	Oil							
N	Neutral							
G	Gasoil							
Seals								
A	NBR							
Filter element			Cover wording					
O	Without filter element	•	•	•				
A	Steel filter element	•	•	-				
Version								
S	Standard							
A	With dipstick							
F	With anti-splash feature							
								Execution
								PO1 MP Filtri standard
								Pxx Customized



Connections	ØD [mm]	H [mm]	H1 [mm]	ØJ [mm]	K [mm]
G16	36.5	23	8	13.5	34
G20	40.5	23	9	17.5	34
G26	46.5	23	10	23.5	35
G33	52.5	24	11	29.5	42
G42	67.5	31.5	12	38	45
G48	67.5	31.5	11	38	45

Technical data

Filler / draining plugs

Aluminium drain plug

TKM is a range of aluminium compact plugs for draining of the fluid from the systems during the commissioning and maintenance procedures. They are directly fitted on the bottom of the tank. The integrated magnet holds the ferrous contamination.

Available features:

- Male threaded connections up to G 1"

Common applications:

- Hydraulic systems
- Mobile machines
- Industrial equipment

Materials

- Body: Aluminium avec insert magnétique
- Seal: Inorganic fibre

Temperature

From -25 °C to +100 °C

Weight

TKMG13	14 g
TKMG16	23 g
TKMG20	42 g
TKMG26	95 g
TKMG33	98 g

Quantity

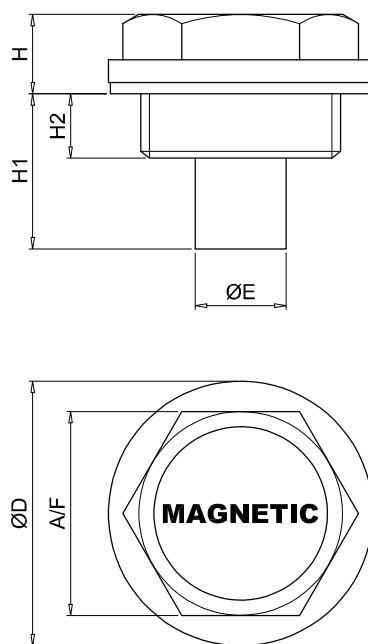
25 pcs/pack



Designation & Ordering code

COMPLETE DRAIN PLUG

Series	Configuration example :	TKM	G20	B	P01
TKM					
Connections					
G13 G 1/4"					
G16 G 3/8"					
G20 G 1/2"					
G26 G 3/4"					
G33 G 1"					
Seals					
B Inorganic fiber					
					Execution
					P01 MP Filtri standard
					Pxx Customized



Connections	ØD [mm]	A/F [mm]	ØE [mm]	H [mm]	H1 [mm]	H2 [mm]
G13	19	15	9.5	6	11.5	5.5
G16	22	18	8	9.5	13.5	7.5
G20	28	22	10	9.5	15.5	7.5
G26	35	27	12	10.5	20.5	8.5
G33	42	34	25	13	30.5	10.5

WORLDWIDE NETWORK

CANADA ♦ CHINA ♦ FRANCE ♦ GERMANY ♦ INDIA ♦ SINGAPORE
UNITED ARAB EMIRATES ♦ UNITED KINGDOM ♦ USA



PASSION  PERFORM

in   



mpfiltri.com
Scan or click me!

MP Filtri reserves the right to make modifications to the models and versions of the described products at any time for both technical and/or commercial reasons. For updated information please visit our website: www.mpfiltri.com. The colors and the pictures of the products are purely indicative. Any reproduction, partial or total, of this document is strictly forbidden. All rights are strictly reserved.

MF00100034
EN - 2025.02