

COUPLINGS

**POWER
TRANSMISSION**

CATALOGUE



MPFILTRI®

PASSION TO PERFORM



A WORLDWIDE LEADER IN THE FIELD OF HYDRAULIC FILTRATION EQUIPMENT.

Our company started life in 1964, when Bruno Pasotto decided to attempt to cater for the requests of a market still to be fully explored, with the study, design, development, production and marketing of a vast range of filters for hydraulic equipment, capable of satisfying the needs of manufacturers in all sectors. The quality of our products, our extreme competitiveness compared with major international producers and our constant activities of research, design and development has made us a worldwide leader in the field of hydraulic circuit filtering. Present for over 50 years in the market, we have played a truly decisive role in defining our sector, and by now we are a group capable of controlling our entire chain of production, monitoring all manufacturing processes to guarantee superior quality standards and to provide concrete solutions for the rapidly evolving needs of customers and the market.

POWER TRANSMISSION PRODUCTS

1	page	INTRODUCTION	
4		COMPANY	
8		PRODUCT RANGE	
10		BELL-HOUSINGS & COUPLINGS SIZING	
12		SELECTION SOFTWARE	
14	page	COUPLINGS	
16		General Information	
21		SGEG - SGEA - SGES - SGEK - EGE	Flexible half-coupling in aluminium, cast iron and steel
39		AKG	IEC electric motor range from size 63 up to size 225
47		SGDR - EGR	Curved-tooth steel gear coupling
53		SGES - EGE	Components for e-PTO systems
56	page	BELL-HOUSINGS	
58		General Information	
63		LMG	Bell-housing with rectangular flange
75		LMC - LDC	Bell-housing for piston, screw and vane pumps
83		LMS - LDS	Bell-housing - Low Noise
91		MULTI-COMPONENTS	Bell-housing - Multi-components 2 - 3
112	page	ACCESSORIES	
114		ANM A	Damping rings
116		PDM A	Foot brackets
117		MPDR PDMA - MPDR	Damping rods
118		OB	Cleaning covers
123		SE10	Aluminium tanks

MARKET LEADER



Our work is based on a skillful interaction between advanced technology and fine workmanship, **customizing products according to specific market requests**, focusing strongly on innovation and quality, and following every step in the manufacturing of both standard and special products, fully respecting customer expectations.



Our customer-oriented philosophy, which enables us to satisfy all customer requests **rapidly and with personalized products**, makes us a **dynamic and flexible enterprise**. The possibility of constantly controlling and monitoring the entire production process is essential to allow us to guarantee the quality of our products.

WORLDWIDE PRESENCE

Our foreign Branches enable us to offer a diversified range of products that allow us to successfully face the aggressive challenge of international competition, and also to maintain a stable presence at a local level.

The Group boasts **9** business branches



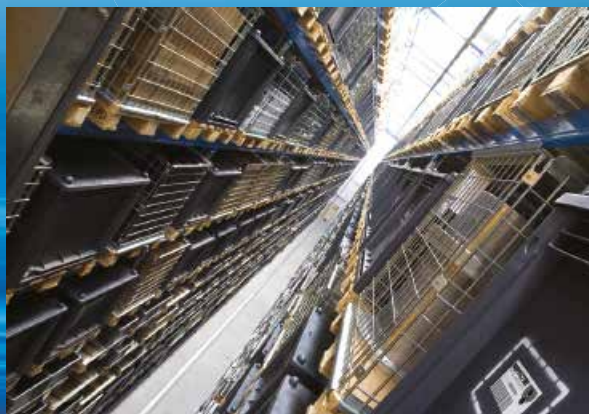
TECHNOLOGY

Our constant **quest for excellence in quality and technological innovation** allows us to offer only the best solutions and services for applications in many fields, including general industry, test rigs, lubrication, heavy engineering, renewable energies, naval engineering, offshore engineering, aviation systems, emerging technologies and mobile plant (i.e. tractors, excavators, concrete pumps, platforms).



AND PRODUCTION

Our high level of technological expertise means **we can rely entirely on our own resources, without resorting to external providers.** This in turn enables us to satisfy a growing number of customer requests, also exploiting our constantly updated range of machines and equipment, featuring **fully-automated workstations** capable of **24-hour production.**





SUCTION FILTERS

Flow rates up to 875 l/min

- Mounting:
- Tank immersed
 - In-Line
 - In tank with shut off valve
 - In tank with flooded suction

RETURN FILTERS

Flow rates up to 3000 l/min

- Pressure up to 20 bar
- Mounting:
- In-Line
 - Tank top
 - In single and duplex designs

RETURN / SUCTION FILTERS

Flow rates up to 300 l/min

- Pressure up to 80 bar
- Mounting:
- In-Line
 - Tank top

SPIN-ON FILTERS

Flow rates up to 365 l/min

- Pressure up to 35 bar
- Mounting:
- In-Line
 - Tank top

LOW & MEDIUM PRESSURE FILTERS

Flow rates up to 3000 l/min

- Pressure up to 80 bar
- Mounting:
- In-Line
 - Parallel manifold version
 - In single and duplex designs

HIGH PRESSURE FILTERS

Flow rates up to 750 l/min

- Pressure from 110 bar up to 560 bar
- Mounting:
- In-Line
 - Manifold
 - In single and duplex designs

PRODUCT RANGE

MP Filtri can offer a vast and articulated range of products for the global market, suitable for all industrial sectors using hydraulic equipment.

This includes filters (suction, return, return/suction, spin-on, pressure, stainless steel pressure, ATEX filters) and structural components (motor/pump bell-housings, transmission couplings, damping rings, foot brackets, aluminium tanks, cleaning covers).

We can provide all the skills and solutions required by the modern hydraulics industry to monitor contamination levels and other fluid conditions.

Mobile filtration units and a full range of accessories allow us to supply everything necessary for a complete service in the hydraulic circuits.



STAINLESS STEEL HIGH PRESSURE FILTERS

Flow rates up to 150 l/min

Pressure from 320 bar up to 1000 bar

- Mounting:
- In-Line
 - Manifold
 - In single and duplex designs

FILTERS FOR POTENTIALLY EXPLOSIVE ATMOSPHERE

Flow rates up to 154 l/min

Pressure from 420 bar up to 1000 bar

- Mounting:
- In-Line

CONTAMINATION CONTROL SOLUTIONS

- Off-line, in-line particle counters
- Off-line bottle sampling products
- Fully calibrated using relevant ISO standards
- A wide range of variants to support fluid types and communication protocols
- Mobile Filtration Units with flow rates from 15 l/min up to 200 l/min

POWER TRANSMISSION PRODUCTS

- Aluminium bell-housings for motors from 0.12 kW to 400 kW
- Couplings in Aluminium Cast Iron - Steel
- Damping rings
- Foot bracket
- Aluminium tanks
- Cleaning covers

TANK ACCESSORIES

- Oil filler and air breather plugs
- Optical and electrical level gauges
- Pressure gauge valve selectors
- Pipe fixing brackets
- Pressure gauges

Bell-housings & Couplings sizing

	p.
AUTOMATIC	11
MANUALLY	12

SOFTWARE FOR AUTOMATIC CALCULATION

The web-based software program will allow you to select the most suitable MP Filtri's Bell-housings & Couplings in accordance with your process design requirements.

The program will automatically check your input design process prior to propose you the acceptable solutions and create an output in PDF report style format.

The MP Filtri Selection Tool software program is easy to use with a flexible fast design method and provides improved layout formats with full descriptions.

The web-based tool is available at MP Filtri website at following link:
<https://www.mpfiltri.com/tools/>

The related, complete user guide is available as Manual and downloadable from the "Download" section of MP Filtri website, as well as scanning the following QR code:



**BELL-HOUSINGS
& COUPLINGS**





BELL-HOUSINGS & COUPLINGS SIZING

A GUIDE TO SELECT THE CORRECT BELL-HOUSING AND DRIVE COUPLING MANUALLY

DATA REQUIRED

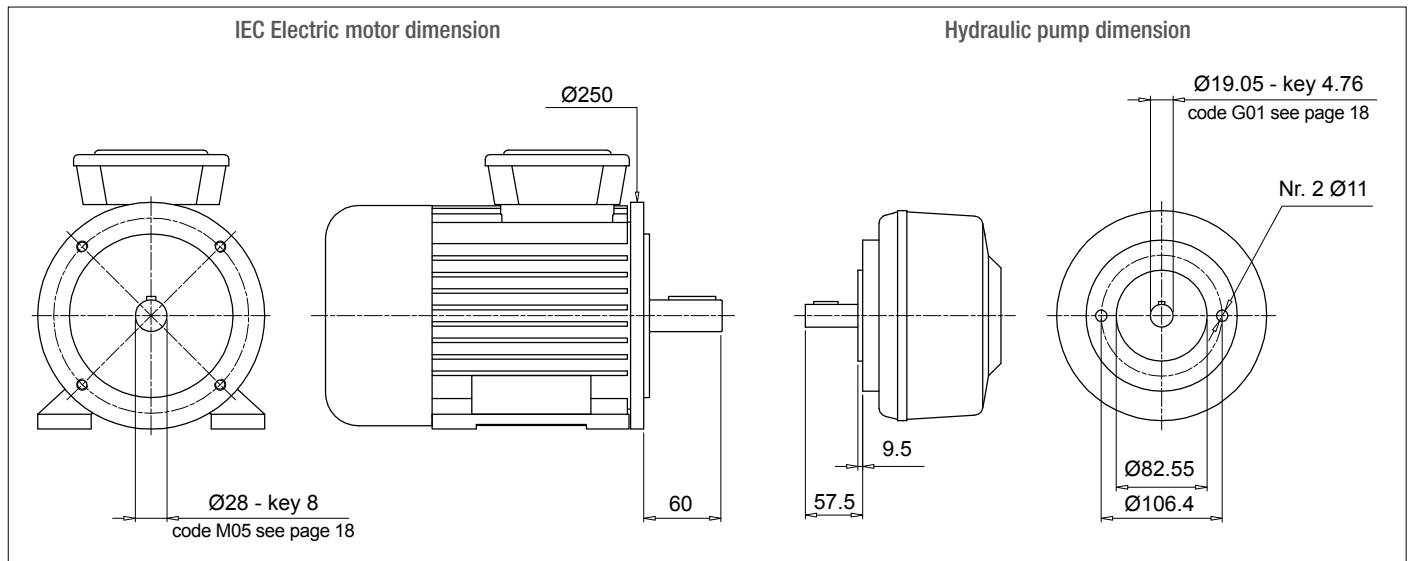
- Electric motor power/motor size
- Manufacturer and pump type

TO VERIFY:

- 1 - Pump and motor shaft dimensions (see electric motor data sheet)
- 2 - Shaft and flange pump (see pump data sheet)

Example:

- Electric motor 2.2 kW - size 100-112
- Atos pump code PFE31 - Shaft 1



Bell-Housing's length calculation

- $H = 60 + 18 + 57.5 = 135.5$ mm (18 = Sp spider - see page 31)
- Choose type of bell-housing (LMC - LMS):
For monobloc bell-housing LMC/LDC series see pages 75 ÷ 81
For Low noise bell-housing LMS/LDS series see pages 81 ÷ 89
For Multi-components 2-3 bell housing series see pages 91 ÷ 111

Note:

The length of bell-housing must be \geq than the length calculated (135.5 mm)

Case A

Solution with monobloc bell-housing series **LMC/LDC**

Pages 75 ÷ 81 for IEC Electric motor size 100-112 - LMC250

LMC 250 bell-housing with height ≥ 135.5 - LMC250AFSQ

The bell-housing code must be completed with pump drilling code (see pages 60-61).

For the specific case:

Spigot hole 82.55 - PCD 106.4 - Nr.2 holes M10 : Drilling code 060

Definitive bell-housing code **LMC250AFSQ060**

Case B

Solution with low noise bell-housing series **LMS/LDS**

Pages 83 ÷ 89 for IEC Electric motor size 100-112 - LMS250

LMS 250 bell-housing with height ≥ 135.5 - LMS250AFSA

The bell-housing code must be completed with pump drilling code (see pages 60-61).

For the specific case:

Spigot hole 82.55 - PCD 106.4 - Nr.2 holes M10 : Drilling code 060

Definitive bell-housing code **LMS250AFSA060**

Coupling selection

Motor half-coupling (see page 26)

For IEC Electric motor size 100/112, the half-coupling is **SGEA21M05060**

Spider (see page 31)

For SGEA21, EGE2 - EGE2RR

(choose spider material on the base of the application, oil, temperature and cycle machine, etc.)

Pump half-coupling

Choose the drilling code - see pages 18-19 for shaft 19.05 - key 4.76 - code: **G01**

Pump half-coupling length = BH length - THK Spider - THK Spigot

$$\text{LMC} = 138 \text{ mm} - 60 - 18 - 9.5 = 50.5 \text{ mm}$$

$$\text{LMS} = 148 \text{ mm} - 60 - 18 - 9.5 = 60.5 \text{ mm}$$

LMC - Choose the half-coupling's length at page 26 \leq 50.5 mm.

LMS - Choose the half-coupling's length at page 26 \leq 60.5 mm.

LMC - Available length for SGEA21 = 50 mm

LMS - Available length for SGEA21 = 60 mm

Half coupling for LMC: **SGEA21G01050**

Half coupling for LMS: **SGEA21G01050**

Note: for multi pumps we recommend to use a specific support on the base of the pump's dimensions and weight.

Drive couplings provide the means by which power is transmitted from the electric motor to the hydraulic pump.

By virtue of their flexible structure, they are able to compensate angular and radial misalignments between motor and pump, and appreciably attenuate the noise generated through the drive line.

The couplings illustrated are available in aluminium and cast iron versions, with a variety of spider options, and will cover a range of applications using electric motors from size 63, rated 0.15 kW, up to size 400 rated 400 kW.

**Grub screw on all half-couplings.
Cast iron half-coupling SGE^g available with screw mounted.
Steel half-couplings SGE^s and SGDR available with screw.**



**Standard ATEX Directive 2014/34/EU and UK Regulation S.I. 2016 No. 1107 (as amended)
Half-couplings are available to use in hazardous area.**

**The couplings are certified according to Standard ATEX Directive 2014/34/EU and UK Regulation S.I. 2016 No. 1107 (as amended) - Category certified 2G - Area 1 and 2.
Other information available on our web site "www.mpfltri.com".**

The half-couplings SGE^{*} series are in conformity to normative DIN 740/2.
The max torque to transmit is always less than the max torque that the coupling can transmit.**



GENERAL INFORMATION	page 16
SGEG - SGEA - SGES - SGEK - EGE	21
AKG	39
SGDR - EGR	47
COMPONENTS FOR e-PTO SYSTEMS	53

The half-couplings series SGE*** allow secure transmission between the electric motor and the driven side; they are able to absorb shocks and vibration, in addition to compensating radial misalignment, angular and axial.

The complete range of couplings are extrapolated from the on-line software, with a length equal than the shaft on which must be mounted and they are completed with grub screw for fixing located on the key.

The assembly of the couplings can be horizontal/vertical, withstanding vibration and load reversals.

Available for cylindrical shaft with metric and imperial dimensions as well for splined shafts as per specification DIN, ISO and SAE.

Admissible misalignment radial, angular and axial

Max admissible radial misalignment

Half-coupling	R [mm]
SGE * 01	0.5
SGE * 21	1.0
SGE * 31	1.0
SGE * 40	1.0
SGE * 51	1.5
SGE * 60	1.5
SGE * 80	2.0
SGE * 90	2.0

Max admissible angular misalignment

Half-coupling	β [°]
SGE * 01	1.5°
SGE * 21	
SGE * 31	
SGE * 40	
SGE * 51	
SGE * 60	
SGE * 80	
SGE * 90	

Max admissible angular alignment

Half-coupling	A [mm]
SGE * 01	2.0
SGE * 21	2.5
SGE * 31	3.0
SGE * 40	3.5
SGE * 51	3.5
SGE * 60	3.5
SGE * 80	4.0
SGE * 90	5.0

Standard ATEX Directive 2014/34/EU and UK Regulation S.I. 2016 No. 1107 (as amended)

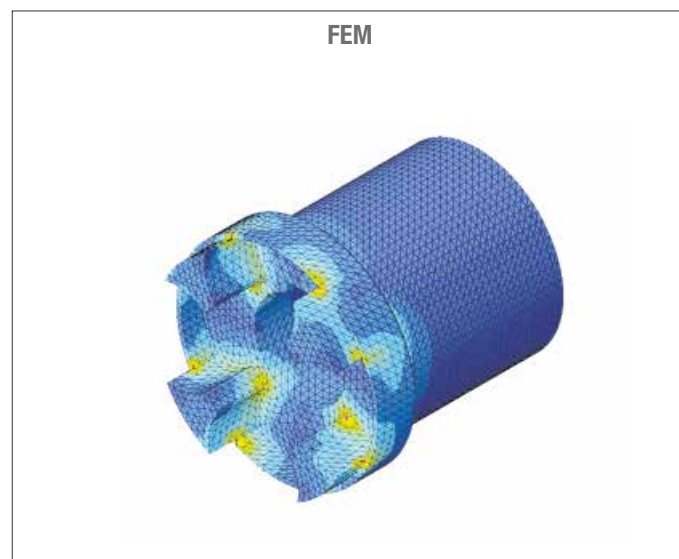


Half-couplings are available to use in hazardous area.

The couplings are certified according to Standard ATEX Directive 2014/34/EU and UK Regulation S.I. 2016 No. 1107 (as amended) - Category certified 2G - Area 1 and 2.

Other information available on our web site "www.mpfiltri.com".

MP Filtri couplings are developed with:



Drawings 3D available on website www.mpfiltri.com at section TOOLS.

Examples verification of the coupling

Torque transmitted by electric motor:

Mt: $9560 \times \text{kW} / \text{rpm} = \text{Nm}$

Me > $Mt \times S = \text{Nm}$

Where:

Mt: Torque transmitted by electric motor

Me: Torque transmitted by coupling

kW: Power of electric motor

Rpm: Revolutions per minute of electric motor

S: Service factor

Table 1

Small pumps, uniform load, low operating pressures e.g. rotary action machine tools - 5/8 work cycles per hour	1.3
Small pumps, uniform load, high working pressures e.g. lifting equipment - 120-150 work cycles per hour	1.5
Pumps, non-uniform load e.g. lifting equipment - 280-300 work cycles per hour	1.7

Example

Electric motor, 4 pole - 4 kW
hydraulic pump, uniform load, low operating pressure

Mt: $9560 \times 4 / 1500 = 25.45 \text{ Nm}$

Me > $25.49 \times 1.3 = 33 \text{ Nm}$

Half-coupling SGEA21 meets the above requirement.

Select the half-coupling of the calculated size from the motor half-couplings table.

Note: When selecting the coupling, remember that for pumps with splined shaft, only cast iron couplings of the SGEG series can be used.

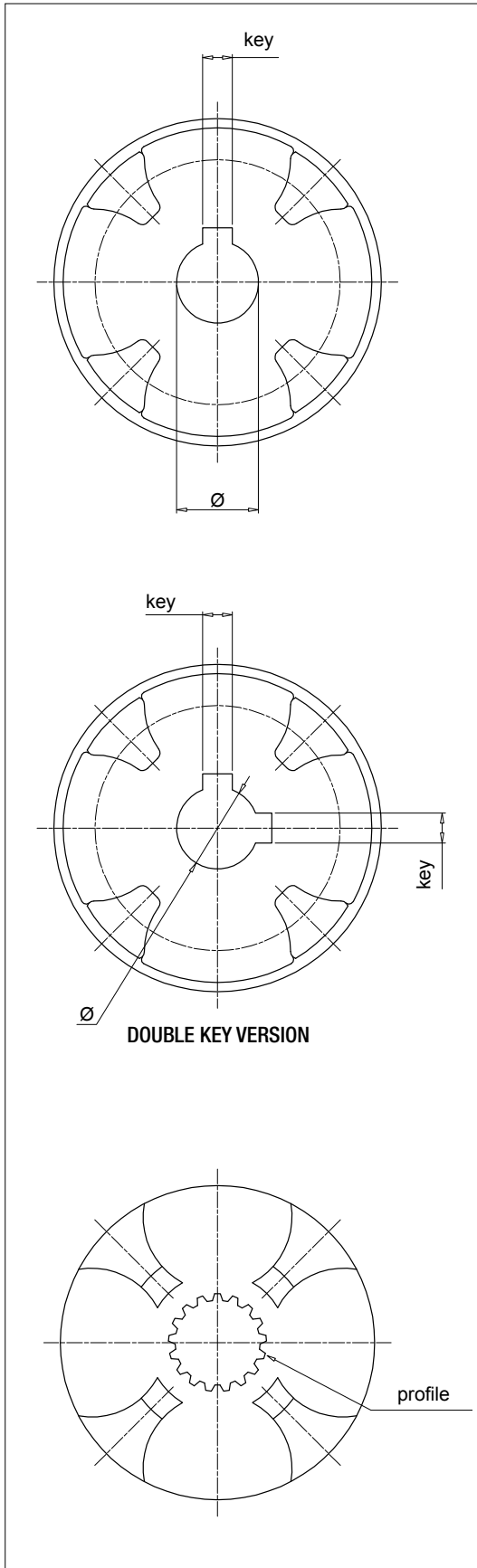
Determine the size of the coupling according to the type of installation and application envisaged, on the basis of the formulas and the following tables:

Table 2

Half-coupling type	External diameter [mm]	Nominal torque Me - Nm	Maximum transmissible torque Me - Nm		
ROTAFIT					
SGEA01	SGEK01	43	15	20	
SGEA21	SGEK21	68	160	190	
SGEA31	SGEK31	75	340	380	
SGEA51	SGEK51	109.5	550	620	ALUMINIUM
SGEG01		40	20	30	
SGEG30		80	400	450	
SGEG40	SGEK40	95	550	620	
SGEG60	SGEK60	120	760	850	
SGEG80	SGEK80	160	2200	2500	
SGEG90		200	5500	6100	CAST IRON
SGES40		95	550	620	
SGES60		120	760	850	
SGES80		180	2200	2500	STEEL

Nominal and maximum torque values are referred to couplings assembled with standard flexible spiders of the **EGE**** series (see page 31).

Where higher torques are to be transmitted, use flexible spiders of the **EGE**RR** series (see page 31).



Parallel shaft - Metric Dimensions

Ø [mm]	key [mm]	Code
12	4	C00
15	5	C01
16	4	C02
16	5	C03
17	5	C04
18	6	C05
20	5	C06
19	5	C07
30	10	C08
20	6	C09
16	5	C10
15	4	C11
22	6	D00
24	6	D01
25	8	D02
30	8	D03
32	10	D04
35	10	D05
40	12	D06
45	14	D07
50	14	D08
70	20	D09
22	8	D10
52	16	D20
8	3	E00
10	3	E01
22	5	E02
32	8	E03
35	8	E04
82	22	E05
25	7	E06
63	18	E07
9	3	M00
11	4	M01
14	5	M02
19	6	M03
24	8	M04
28	8	M05
38	10	M06
42	12	M07
48	14	M08
55	16	M09
60	18	M10
65	18	M11
75	20	M12
80	22	M13
90	25	M14
95	25	M15
100	28	M16
110	28	M17
85	22	M18

Parallel shaft - Imperial Dimensions

Ø		key		Code
[inch]	[mm]	[inch]	[mm]	
7/16"	11.11	1/8"	3.18	G00
3/4"	19.05	3/16"	4.76	G01
7/8"	22.22	3/16"	4.76	G02
7/8"	22.22	1/4"	6.35	G03
1"	25.4	3/16"	4.76	G04
1"	25.40	1/4"	6.35	G05
1 1/4"	31.75	1/4"	6.35	G06
1 1/4"	31.75	5/16"	7.94	G07
1 3/8"	34.94	5/16"	7.94	G08
1 1/2"	38.1	3/8"	9.52	G09
1 5/8"	41.27	3/8"	9.52	H00
1 3/4"	44.45	7/16"	11.11	H01
2"	50.8	1/2"	12.7	H02
2 11/32"	53.94	1/2"	12.7	H03
3/4"	19.02	1/8"	3.17	H04
1"	25.4	3/16"	4.76	H05
5/8"	15.87	3/16"	4.76	H06
17/32"	13.45	1/8"	3.18	H07
11/16"	17.46	3/16"	4.76	H08
1/2"	12.7	1/8"	3.18	H09
5/8"	15.87	5/32"	3.97	L00
7/8"	22.22	5/32"	4	L01
11/8"	28.58	1/4"	6.35	L02
3/4"	19.05	1/4"	6.35	L03
1 7/8"	47.63	1/2"	12.7	L04
3 3/8"	85.73	7/8"	22.23	L05
2 3/8"	60.33	5/8"	15.88	L06
2 3/8"	60.33	1/2"	12.7	L07
2 7/8"	73.03	3/4"	19.05	L08
3 5/8"	92.07	7/8"	22.22	L09
1 5/8"	41.6	15/32"	12	L10
1 1/8"	28.58	5/16"	7.94	L15

Parallel shaft - Double Key

Ø [mm]	key [mm]	Code
16.00	4.00	C02***2H
	5.00	
20.00	5.00	C06***2M
	6.00	
19.00	5.00	C07***2L
	6.00	
24.00	6.00	D01***2N
	8.00	
30.00	8.00	D03***2P
	10.00	
22.22	4.76	G02***2E
	6.35	
25.40	6.35	G04***2F
	4.76	
31.75	6.35	G06***2G
	7.94	

*** = coupling length

SAE Bore - ANS.B.92.1-1970

Profile	Nr. of Th	Code
17 th 8/16	17	PD01
14 th 12/24	14	PD02
16 th 12/24	16	PD03
17 th 12/24	17	PD04
9 th 16/32	9	PD05
11 th 16/32	11	PD06
12 th 16/32	12	PD07
13 th 16/32	13	PD08
15 th 16/32	15	PD09
21 th 16/32	21	PD10
23 th 16/32	23	PD11
27 th 16/32	27	PD12
40 th 16/32	40	PD13
20 th 24/48	20	PD14
21 th 24/48	21	PD15
23 th 24/48	23	PD16
25 th 24/48	25	PD17
26 th 24/48	26	PD18
27 th 12/48	27	PD19
28 th 24/48	28	PD20
29 th 24/48	29	PD21
32 th 24/48	32	PD22
21 th 32/64	21	PD23
30 th 32/64	30	PD24
33 th 32/64	33	PD25
23 th 40/80	23	PD26
36 th 48/96	36	PD27
41 th 48/96	41	PD28
47 th 48/96	47	PD29
13 th 8/16	13	PD30
15 th 8/16	15	PD31
14 th 16/32	14	PD32
40 th 16/32	40	PD33
33 th 16/32	33	PD34
9 th 20/40	9	PD35
10 th 16/32	10	PD36
25 th 20/40	25	PD37

Splined bore as per standard DIN5480

Profile	Nr. of Th	Code
W18 x 1.25 x 13	13	PA01
W20 x 1.25 x 14	14	PA02
W25 x 1.25 x 18	18	PA03
W28 x 1.25 x 21	21	PA04
W32 x 1.25 x 24	24	PA05
W38 x 1.25 x 29	29	PA06
W30 x 2 x 14	14	PA07
W32 x 2 x 14	14	PA08
W35 x 2 x 16	16	PA09
W37 x 2 x 17	17	PA10
W38 x 2 x 18	18	PA11
W40 x 2 x 18	18	PA12
W42 x 2 x 20	20	PA13
W45 x 2 x 21	21	PA14
W50 x 2 x 24	24	PA15
W55 x 2 x 26	26	PA16
W60 x 2 x 28	28	PA17
W70 x 2 x 34	34	PA18
W80 x 2 x 38	38	PA19
W60 x 3 x 18	18	PA20
W70 x 3 x 22	22	PA21
W75 x 3 x 24	24	PA22
W90 x 3 x 28	28	PA23
W105 x 3 x 34	34	PA24
W80 x 3 x 25	25	PA25
W50 x 1.25 x 38	38	PA26
W62 x 1.25 x 48	48	PA27
W40 x 1.5 x 25	25	PA28
W32 x 1.5 x 20	20	PA29
W40 x 1.25 x 30	30	PA30

Splined bore as per standard DIN5481

Profile	Nr. of Th	Code
8 x 10	28	PC01
10 x 12	30	PC02
12 x 14	31	PC03
15 x 17	32	PC04
17 x 20	33	PC05
21 x 24	34	PC06
26 x 30	35	PC07
30 x 34	36	PC08
60 x 65	41	PC09

Splined bore as per standard DIN5482

Profile	Nr. of Th	Code
A15 x 12	8	PB01
A17 x 14	9	PB02
A18 x 15	10	PB03
A20 x 17	12	PB04
A22 x 19	13	PB05
A25 x 22	14	PB06
A28 x 25	15	PB07
A30 x 27	16	PB08
A32 x 28	17	PB09
A35 x 31	18	PB10
A38 x 34	19	PB11
A40 x 36	20	PB12
A42 x 38	21	PB13
A45 x 41	22	PB14
A48 x 44	23	PB15
A50 x 45	24	PB16
A52 x 47	25	PB17
A55 x 50	26	PB18
A58 x 53	27	PB19
A60 x 55	28	PB20
A62 x 57	29	PB21
A65 x 60	30	PB22
A68 x 62	31	PB23
A70 x 64	32	PB24
A72 x 66	33	PB25
A75 x 69	34	PB26
A78 x 72	35	PB27
A80 x 74	36	PB28
A82 x 76	37	PB29
A85 x 79	38	PB30
A88 x 82	39	PB31
A90 x 84	40	PB32
A92 x 86	41	PB33
A95 x 89	42	PB34
A98 x 92	43	PB35
A100 x 94	44	PB36

SGEG - SGEA - SGES - SGEK - EGE series

Flexible half-coupling in aluminium, cast iron and steel



Technical data

Couplings - Flexible half-coupling in aluminium, cast iron and steel

Half-couplings materials

SGEA: Pressure die cast aluminium
 SGEG: Cast Iron en-GJL-250 (gg25)
 SGES: Steel C40
 SGEK: Pressure die cast aluminium
 SGEK: Cast Iron en-GJL-250 (gg25)



Spider materials

EGE** series: Oil-resistant NBR 85 Shore A - black colour
 EGE**RR series: in polyurethane Laripur - 92 Shore A - LPR202-95A - red colour

Compatibility with fluids

- Mineral oils types HH-HL-HM-HR-HV, to ISO 6743/4 standard
- Water based emulsions types HFAE-HFAS, to ISO 6743/4 standard
- Water glycol type HFC, to ISO 6743/4 standard: ask for anodized version

Special Applications

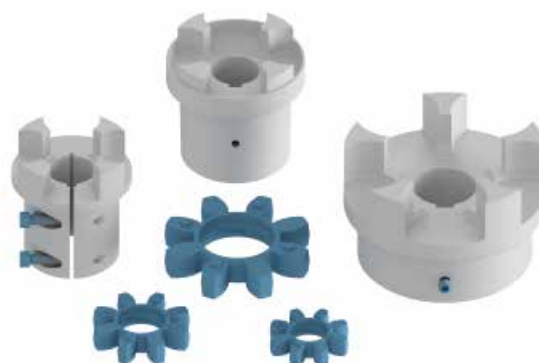
Any applications not covered by the normal indications contained in this catalogue must be evaluated and approved by MP Filtri Technical and Sales Department

Temperature

Spider oil-resistant rubber: from -20 °C to +90 °C
 Spider polyurethane resin: from -30 °C to +120 °C

Note

For temperatures outside this range, contact MP Filtri Technical and Sales Department



Range

IEC Electric Motors size	Aluminium		G25 UNI 5007 Cast Iron - C40 Carbon Steel			
	Shaft ISO 3019-2	Shaft ISO 3019-2	Shaft ANSI B92. 1A 1976	Shaft DIN 5480	Shaft DIN 5481	Shaft DIN 5482
IEC 80 Ø200 - Ø19x40	●	●	●	●	●	●
IEC 90 Ø200 - Ø24x50	●	●	●	●	●	●
IEC 100 Ø250 - Ø28x60	●	●	●	●	●	●
IEC 112 Ø250 - Ø28x60	●	●	●	●	●	●
IEC 132 Ø300 - Ø38x80	●	●	●	●	●	●
IEC 160 Ø350 - Ø42x110	●	●	●	●	●	●
IEC 180 Ø350 - Ø48x110	●	●	●	●	●	●
IEC 200 Ø400 - Ø55x110	●	●	●	●	●	●
IEC 225 Ø450 - Ø60x140		●	●	●	●	●
IEC 250 Ø550 - Ø65x140		●	●	●	●	●
IEC 280 Ø550 - Ø75x140		●	●	●	●	●
IEC 315 Ø660 - Ø80x170		●	●	●	●	●
IEC 355 Ø800 - Ø90x170		●	●	●	●	●

IEC Electric Motors size	European standard size						German standard size		
	0.5	1	2	3	3.5	4	ZB	ZF	ZG
IEC 63 Ø140 - Ø11x23	●	●	●				●		
IEC 71 Ø160 - Ø14x30	●	●	●				●		
IEC 80 Ø200 - Ø19x40	●	●	●	●			●	●	
IEC 90 Ø200 - Ø24x50	●	●	●	●			●	●	
IEC 110 Ø250 - Ø28x60		●	●	●	●		●	●	
IEC 112 Ø250 - Ø28x60		●	●	●	●		●	●	
IEC 132 Ø300 - Ø38x80		●	●	●	●	●		●	●
IEC 160 Ø350 - Ø42x110			●	●	●	●		●	●
IEC 180 Ø350 - Ø48x110			●	●	●	●		●	●
IEC 200 Ø400 - Ø55x110			●	●	●	●		●	●
IEC 225 Ø450 - Ø60x140				●	●	●			●

Couplings for standard IEC motors, protection class IP 54 / IP 55

A. C. motor 50 Hz			Motor output n=3000 RPM 2 poles		Coupling size	Motor output n=1500 RPM 4 poles		Coupling size	Motor output n=1000 RPM 6 poles		Coupling size	Motor output n=750 RPM 8 poles		Coupling size
Size	Shaft end Ø x L [mm]		Output P [kW]	Torque T [Nm]		Output P [kW]	Torque T [Nm]		Output P [kW]	Torque T [Nm]		Output P [kW]	Torque T [Nm]	
	2-pole	4, 6, 8 pole												
56	9 x 20		0.09	0.32		0.06	0.43		0.037	0.43				
			0.12	0.41		0.09	0.64		0.045	0.52				
63	11 x 23		0.18	0.62	01	0.12	0.88	01	0.06	0.7	01			01
			0.25	0.86		0.18	1.3		0.09	1.1				
71	14 x 30		0.37	1.3		0.25	1.8		0.18	2		0.09	1.4	
			0.55	1.9		0.37	2.5		0.25	2.8		0.12	1.8	
80	19 x 40		0.75	2.5		0.55	3.7		0.37	3.9		0.18	2.5	
			1.1	3.7		0.75	5.1		0.55	5.8		0.25	3.5	
90S	24 x 50		1.5	5	21	1.1	7.5	21	0.75	8	21	0.37	5.3	21
90L			2.2	7.4		1.5	10		1.1	12		0.55	7.9	
100L	28 x 60		3	9.8		2.2	15		1.5	15		0.75	11	
			3	20		1.5	15		1.1	16				
112M			4	13		4	27		2.2	22		1.5	21	
132S	38 x 80		5.5	18		5.5	36		3	30		2.2	30	
			7.5	25		7.5	49		4	40		3	40	
132M									5.5	55				
160M	42 x 110		11	36		11	72		7.5	75		4	54	
			15	49		15	98		11	109		5.5	74	
160L			18.5	60	40/51	15	98	40/51	11	109	40/51	7.5	100	40/51
180M	48 x 110		22	71		18.5	121							
180L			22	144		15	148		11	145				
200L	55 x 110		30	97		30	196		18.5	181		15	198	
			37	120		22	215		15	198				
200S	55 x 110	60 x 140			60	37	240	60			60	18.5	244	60
225M			45	145		45	292		30	293		22	290	
250M	60 x 140	65 x 140	55	177		55	356		37	361		30	392	
280S		75 x 140	75	241		75	484		45	438		37	483	
280M			90	289		90	581		55	535		45	587	
315S			110	353		110	707		75	727		55	712	
315M	65 x 140	80 x 170	132	423	80	132	849	80	90	873	80	75	971	80
			160	513		160	1030		110	1070		90	1170	
315L			200	641		200	1290		132	1280		110	1420	
			160	1550		132	1710							
315	85 x 170		250	802		250	1600		200	1930		160	2070	
			315	1010		315	2020		250	2410		200	2580	
355	75 x 140		355	1140		355	2280							
			400	1280		400	2570		315	3040		250	3220	
400	80 x 170	110 x 210	500	1600	90	500	3210	90	400	3850	90	315	4060	90
			560	1790		560	3580		450	4330		355	4570	
400	80 x 170		630	2020		630	4030		500	4810		400	5150	
			710	2270		710	4540		560	5390		450	5790	
			800	2560		800	5120		630	6060		500	6420	

SGEG-SGEA-SGES-SGEK

Designation & Ordering code

PUMP HALF-COUPLING FOR PARALLEL SHAFT

Pump half-coupling Configuration example: **SGE** **A** **21** **G02** **050** **2E**


SGE

Series and material

A Aluminium

G Cast Iron

S Steel

K Aluminium / Cast Iron - Reduced length 

Size	SGEG	SGEA	SGES	SGEK
	01	01	01	01
	30	21	30	21
	40	31	40	31
	60	51	60	51
	80		80	40
	90		90	60
				80

Pump shaft code

G02 See page 18

Length

050 See pages 26 ÷ 30

Double key way (available combinations only)

2E See page 18 (parallel shaft - double key)

PUMP HALF-COUPLING FOR SPLINED SHAFT


Pump half-coupling Configuration example: **SGE** **G** **40** **PD02** **050**

SGE

Series and material

G Cast Iron

S Steel

K Cast Iron - Reduced length 

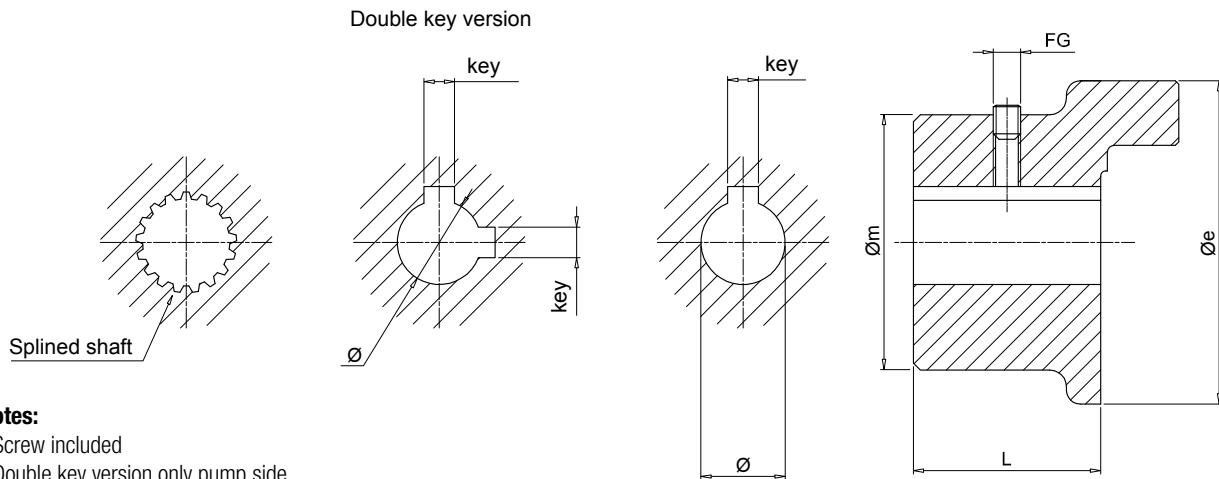
Size	SGEG	SGES	SGEK
	01	01	01
	30	30	21
	40	40	31
	60	60	51
	80	80	40
	90	90	60
			80

Pump shaft code

PD02 See pages 19

Length

050 See pages 28 ÷ 30



Notes:

- Screw included
- Double key version only pump side

Motor half-coupling

IEC - Electric motors		Half-coupling code	Dimensions [mm]							Weight [kg]
Motor size	Shaft end [Ø x L]		Øe	Øm	L	Ø	key	FG		
63	11x23	SGEG01M01021	40	50	21	11	4	M6	0.32	
71	14x30	SGEG01M02028	40	50	28	14	5	M6	0.42	
80	19x40	SGEG01M03040	40	50	40	19	6	M6	0.61	
90	24x50	SGEG01M04050	40	50	50	24	8	M6	0.77	
100 - 112	28x60	SGEG30M05060	80	65	60	28	8	M8	2.35	
		SGEG40M05060	95	75	60	28	8	M8	2.65	
132	38x80	SGEG30M06080	80	65	80	38	10	M8	3.15	
		SGEG40M06080	95	75	80	38	10	M8	3.55	
160	42x110	SGEG40M07110	95	75	110	42	12	M8	4.70	
180	48x110	SGEG40M08110	95	95	110	48	14	M8	4.55	
200	55x110	SGEG40M09110	95	95	110	55	16	M8	4.35	
		SGEG60M09110	120	98	110	55	16	M8	9.00	
225	60x140	SGEG60M10140	120	118	140	60	18	M8	12.30	
		SGEG60M11140	120	118	140	65	18	M8	12.00	
250	65x140	SGEG80M11140	160	138	140	65	18	M8	18.30	
		SGEG80M12140	160	138	140	75	20	M10	17.70	
280	75x140	SGEG90M12100	200	160	100	75	20	M10	21.00	
		SGEG80M13170	160	138	170	80	22	M10	20.60	
315	80x170	SGEG90M13100	200	160	100	80	22	M10	20.00	
		SGEG90M15100	200	160	100	95	25	M10	19.00	
400	100x210	SGEG90M16100	200	160	100	100	28	M10	18.00	

Pump half-couplings

Half-coupling code	Dimensions [mm]					Standard lengths [mm]
	Ø min	Ø max	Øe	L min	L max	
SGEG01 *** **	-	24	40	20	50	every 5 mm
SGEG30 *** **	-	42	80	30	80	
SGEG40 *** **	-	55	95	30	110	
SGEG60 *** **	-	75	120	40	140	
SGEG80 *** **	-	85	160	50	170	
SGEG90 *** **	-	100	200	40	100	

Complete the half-coupling code with the shaft's code and length

Example: **SGEG40PD02040**

PD02 - see page 19

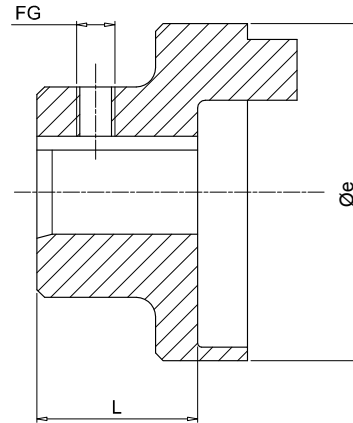
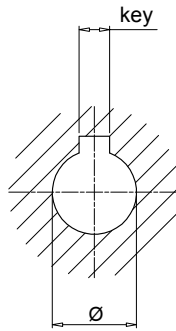
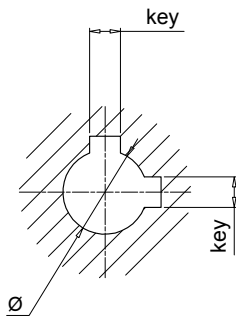
040 - table "pump half-coupling - standard lengths"

All SGEG series half-couplings are supplied with a grub screw hole as standard, and with a grub screw **UNI 5929 DIN 916** fitted to the hub.

Note: For lengths other than those indicated in "Pump half-coupling" table, contact MP Filtri Technical and Sales Department.

Dimensions

Double key version



Notes:

- Screw not included
- Double key version pump side only

Motor half-coupling

IEC - Electric motors Motor size	Shaft end [Ø x L]	Half-coupling code	Øe	Dimensions [mm]				Weight [kg]
				L	Ø	key	FG	
63	11x23	SGEA01M01019	44.0	21	11	4	M5	0.07
71	14x30	SGEA01M02028	44.0	28	14	5	M5	0.08
80	19x40	SGEA01M03040	44.0	40	19	6	M5	0.12
		SGEA21M03040	70.0	40	19	6	M6	0.30
90	24x50	SGEA01M04048	44.0	48	24	8	M5	0.13
		SGEA21M04048	70.0	48	24	8	M6	0.28
100 - 112	28x60	SGEA21M05060	70.0	60	28	8	M6	0.33
		SGEA31M05060	85.0	60	28	8	M8	0.48
		SGEA21M06080	70.0	80	38	10	M6	0.44
132	38x80	SGEA31M06077	85.0	77	38	10	M8	0.78
		SGEA51M06077	109.5	77	38	10	M8	1.60
		SGEA51M07109	109.5	109	42	12	M8	1.60
160	42x110	SGEA51M07109	109.5	109	42	12	M8	1.60
180	48x110	SGEA51M08109	109.5	109	48	14	M8	1.60
200	55x110	SGEA51M09109	109.5	109	55	16	M8	1.90

Pump half-couplings

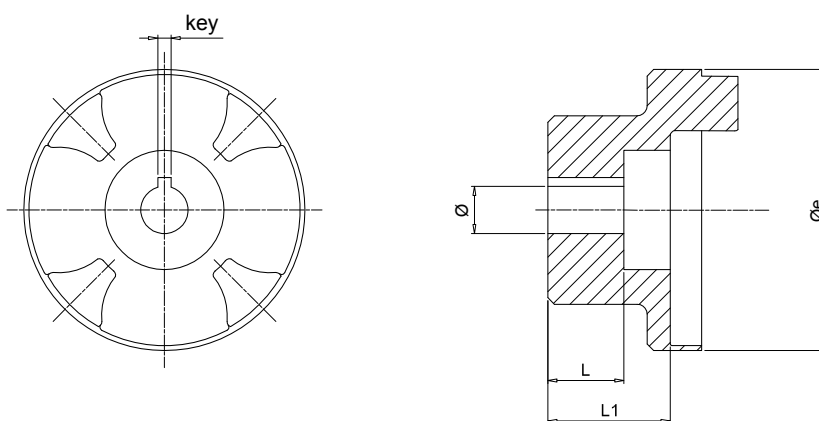
Half-coupling code	Dimensions [mm]					Standard lengths [mm]								FG		
	Ø min	Ø max	Øe	L min	L max	17	23	30	40	44	48	-	-		-	-
SGEA01 *** **	11	19	44.0	17	50	17	23	30	40	44	48	-	-	-	-	M5
SGEA21 *** **	15	24	70.0	23	50	35	40	42	44	48	50	-	-	-	-	M6
SGEA21 *** **	25	28	70.0	40	60	40	42	44	48	50	55	58	60	-	-	M6
SGEA31 *** **	18	32	85.0	40	60	42	45	48	50	52	55	58	60	-	-	M8
SGEA31 *** **	38	42	85.0	60	80	60	65	70	77	80	-	-	-	-	-	M8
SGEA51 *** **	18	40	109.5	40	70	42	45	48	50	52	55	58	60	65	70	M8
SGEA51 *** **	38	55	109.5	70	109	70	75	80	85	90	95	100	105	109	-	M8

Complete the half-coupling code with the shaft's code and length

Example: **SGEA51D02040**

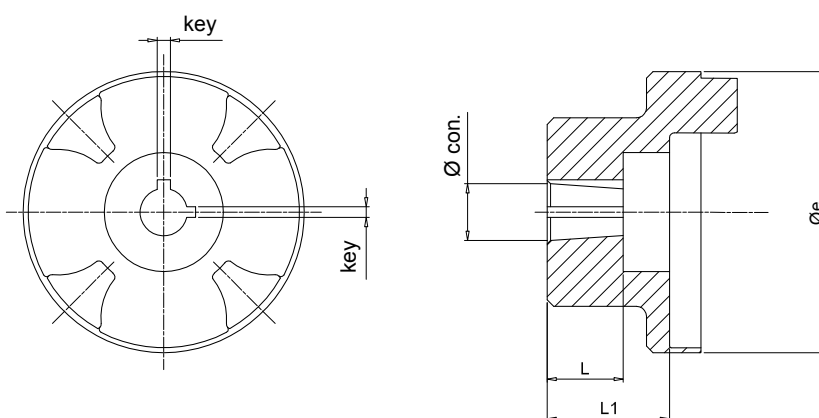
D02 - see page 18

040 - table "pump half-coupling - standard lengths"



Half-coupling for gear pumps - parallel

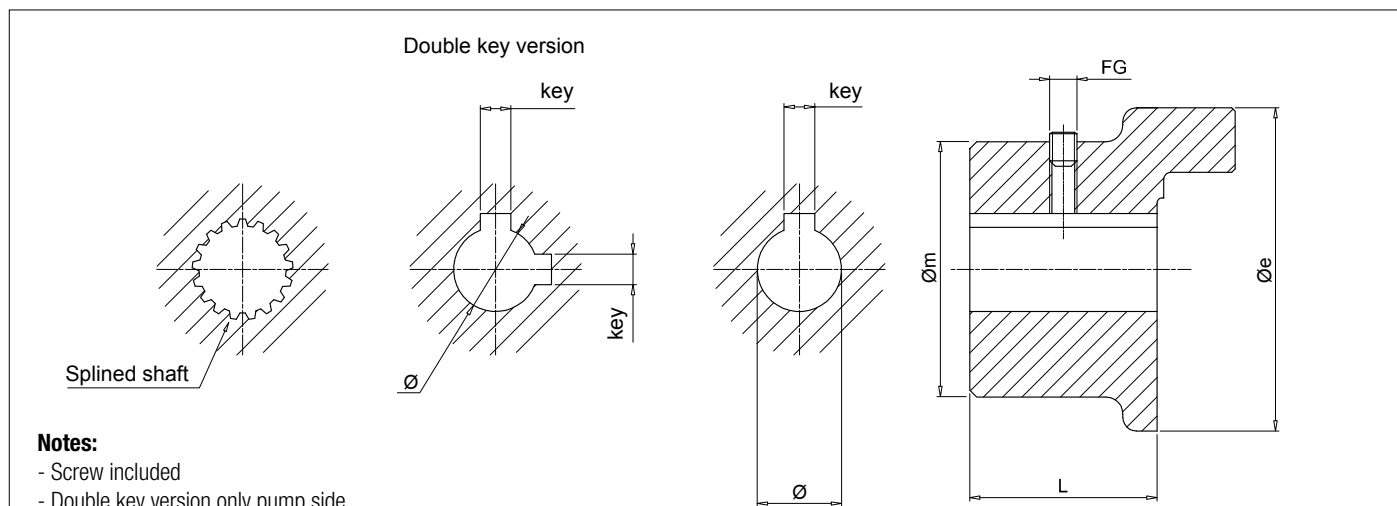
Half-coupling code	Dimensions [mm]					Weight [kg]
	Øe	L	L1	Ø	key	
SGEA01FS05M	44	10.0	17.0	6	2	0.07
SGEA01FS05C	44	10.0	17.0	7	2	0.08
SGEA01FS1C0	44	-	17.0	12	3	0.13
SGEA21FS1C0	70	14.5	21.5	12	3	0.48
SGEA31FS1C0	85	14.5	37.0	12	3	1.90



Half-coupling for gear pumps - tapered

Half-coupling code	Dimensions [mm]					Weight [kg]	Conical
	Øe	L	L1	Ø	key		
SGEA01FS100	44.0	14.5	16.0	9.7	2.4	0.12	1:8
SGEA01FS1M0	44.0	16.0	16.0	13.9	3	0.30	1:8
SGEA01FSZBR	44.0	11.5	14.5	9.8	2	0.28	1:5
SGEA21FS100	70.0	14.5	21.5	9.7	2.4	0.33	1:8
SGEA21FS1M0	70.0	18.5	21.5	13.9	3	0.78	1:8
SGEA21FS200	70.0	21.5	21.5	17.2	3.2 - 4	1.60	1:8
SGEA21FSZFR	70.0	20.0	21.5	16.9	3	1.60	1:5
SGEA21FS300	70.0	27.0	41.0	21.6	4	1.60	1:8
SGEA31FS100	85.0	14.5	37.0	9.7	2.4	1.90	1:8
SGEA31FS1M0	85.0	17.5	36.0	13.9	3	0.33	1:8
SGEA31FS200	85.0	23.0	37.0	17.2	3.2 - 4	0.48	1:8
SGEA31FS300	85.0	27.0	37.0	21.6	4	0.78	1:8
SGEA31FS350	85.0	35.0	37.0	25.6	4.76 - 5	1.60	1:8
SGEA31FSZFR	85.0	17.0	37.0	16.9	3	1.60	1:5
SGEA31FSZGR	85.0	27.0	34.0	25.2	5	1.60	1:5
SGEA51FS200	109.5	23.5	32.0	17.2	3.2 - 4	1.90	1:8
SGEA51FS300	109.5	25.0	32.0	21.6	4	1.90	1:8
SGEA51FS350	109.5	32.0	32.0	25.6	4.76 - 5	1.60	1:8
SGEA51FSZFR	109.5	19.5	32.0	16.9	3	1.90	1:5
SGEA51FSZGR	109.5	25.0	32.0	24.6	5	1.90	1:5

Dimensions



Motor half-coupling

IEC - Electric motors		Half-coupling code	Dimensions [mm]							Weight [kg]
Motor size	Shaft end [Ø x L]		Øe	Øm	L	Ø	key	FG		
63	11x23	SGES01M01021	40	50	21	11	4	M6	0.32	
71	14x30	SGES01M02028	40	50	28	14	5	M6	0.42	
80	19x40	SGES01M03040	40	50	40	19	6	M6	0.61	
90	24x50	SGES01M04050	40	50	50	24	8	M6	0.77	
100 - 112	28x60	SGES31M05060	80	-	60	28	8	M8	2.35	
		SGES40M05060	95	-	60	28	8	M8	2.65	
132	38x80	SGES31M06080	80	-	80	38	10	M8	3.15	
		SGES40M06080	95	-	80	38	10	M8	3.55	
160	42x110	SGES40M07110	95	-	110	42	12	M8	4.70	
180	48x110	SGES40M08110	95	-	110	48	14	M8	4.55	
200	55x110	SGES40M09110	95	-	110	55	16	M8	4.35	
		SGES60M09110	120	-	110	55	16	M8	9.00	
225	60x140	SGES60M10140	120	-	140	60	18	M8	12.30	
250	65x140	SGES60M11140	120	-	140	65	18	M8	12.00	
		SGES80M11140	160	-	140	65	18	M8	18.30	
280	75x140	SGES80M12140	160	-	140	75	20	M10	17.70	
		SGES90M12100	200	-	100	75	20	M10	21.00	
315	80x170	SGES80M13170	160	-	170	80	22	M10	20.60	
		SGES90M13100	200	-	100	80	22	M10	20.00	
355	95x140	SGES90M15100	200	-	100	95	25	M10	19.00	
400	100x210	SGES90M16100	200	-	100	100	28	M10	18.00	

Pump half-couplings

Half-coupling code	Dimensions [mm]					Standard lengths [mm]
	Ø min	Ø max	Øe	L min	L max	
SGES01 *** **	-	24	40	20	50	every 5 mm
SGES30 *** **	-	42	80	30	80	
SGES40 *** **	-	55	95	30	110	
SGES60 *** **	-	75	120	40	140	
SGES80 *** **	-	85	160	50	170	
SGES90 *** **	-	100	200	40	100	

Complete the half-coupling code with the shaft's code and length

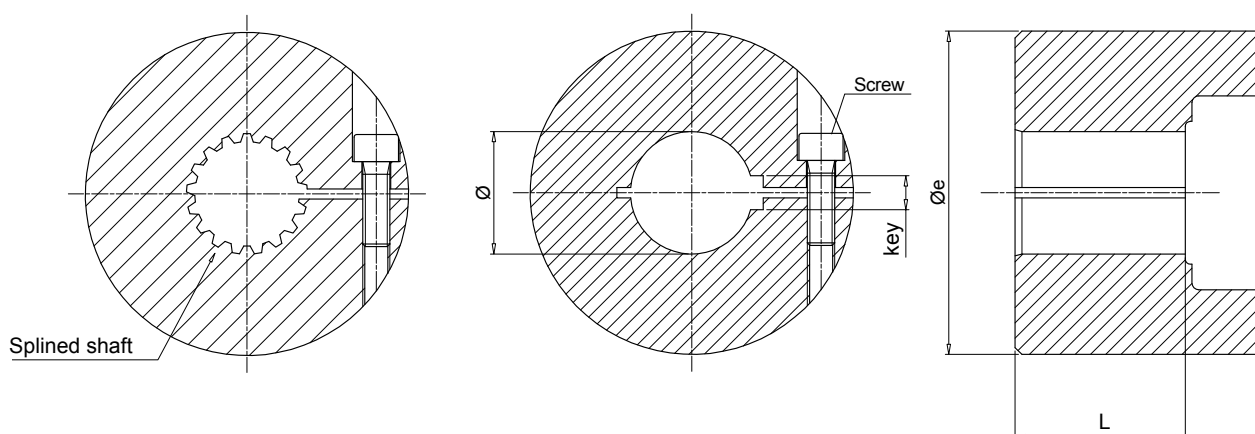
Example: **SGES40PD02040**

PD02 - see page 19

040 - table "pump half-coupling - standard lengths"

All SGES series half-couplings are supplied with a grub screw hole as standard, and with a grub screw **UNI 5929 DIN 916** fitted to the hub.

Note: For lengths other than those indicated in "Pump half-coupling" table, contact MP Filtri Technical and Sales Department.



Motor half-coupling

IEC - Electric motors		Half-coupling code	Dimensions [mm]					Weight [kg]
Motor size	Shaft end [Ø x L]		Øe	L	Ø	key	Screw	
132	38x80	SGES40M06050GO	95	50	38	10	M8	4.00
160	42x110	SGES40M07065GO	95	65	42	12	M8	5.00
180	48x110	SGES40M08065GO	95	65	48	14	M8	5.00
200	55x110	SGES60M09085GO	120	85	55	16	M10	8.00
225	60x140	SGES60M10085GO	120	85	60	18	M10	8.00
250	65x140	SGES60M11085GO	120	85	65	18	M10	8.00
280	75x140	SGES60M12085GO	120	85	75	20	M10	8.00
315	80x170	SGES80M13085GO	160	85	80	22	M10	13.00

Pump half-couplings

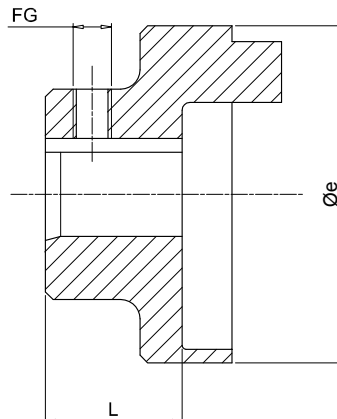
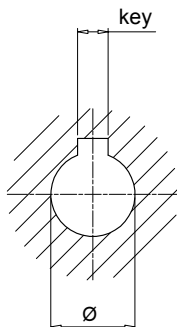
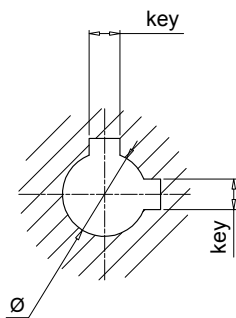
Half-coupling code	Dimensions [mm]			
	Ø min	Ø max	Øe	L
SGES40 *** **	-	55	95	35
SGES60 *** **	-	65	120	65
SGES80 *** **	-	75	160	85

Complete the half-coupling designation with the pump interface code and the length.

Example: **SGES40PD02035GO** (see page 19).

Dimensions

Double key version



Notes:

- Screw not included
- Double key version pump side only

Motor half-coupling

IEC - Electric motors		Half-coupling code	Dimensions [mm]					Weight [kg]
Motor size	Shaft end [Ø x L]		Øe	L	Ø	key	FG	
63	11x23	SGEA01M01019	44.0	21	11	4	M5	0.07
71	14x30	SGEA01M02028	44.0	28	14	5	M5	0.08
80	19x40	SGEA01M03040	44.0	40	19	6	M5	0.12
		SGEA21M03040	70.0	40	19	6	M6	0.30
90	24x50	SGEA01M04048	44.0	48	24	8	M5	0.13
		SGEA21M04048	70.0	48	24	8	M6	0.28
100 - 112	28x60	SGEA21M05060	70.0	60	28	8	M6	0.33
		SGEA31M05060	85.0	60	28	8	M8	0.48
132	38x80	SGEA21M06080	70.0	80	38	10	M6	0.44
		SGEA31M06077	85.0	77	38	10	M8	0.78
		SGEA51M06077	109.5	77	38	10	M8	1.60
160	42x110	SGEA51M07109	109.5	109	42	12	M8	1.60
180	48x110	SGEA51M08109	109.5	109	48	14	M8	1.60
200	55x110	SGEA51M09109	109.5	109	55	16	M8	1.90

Pump half-couplings

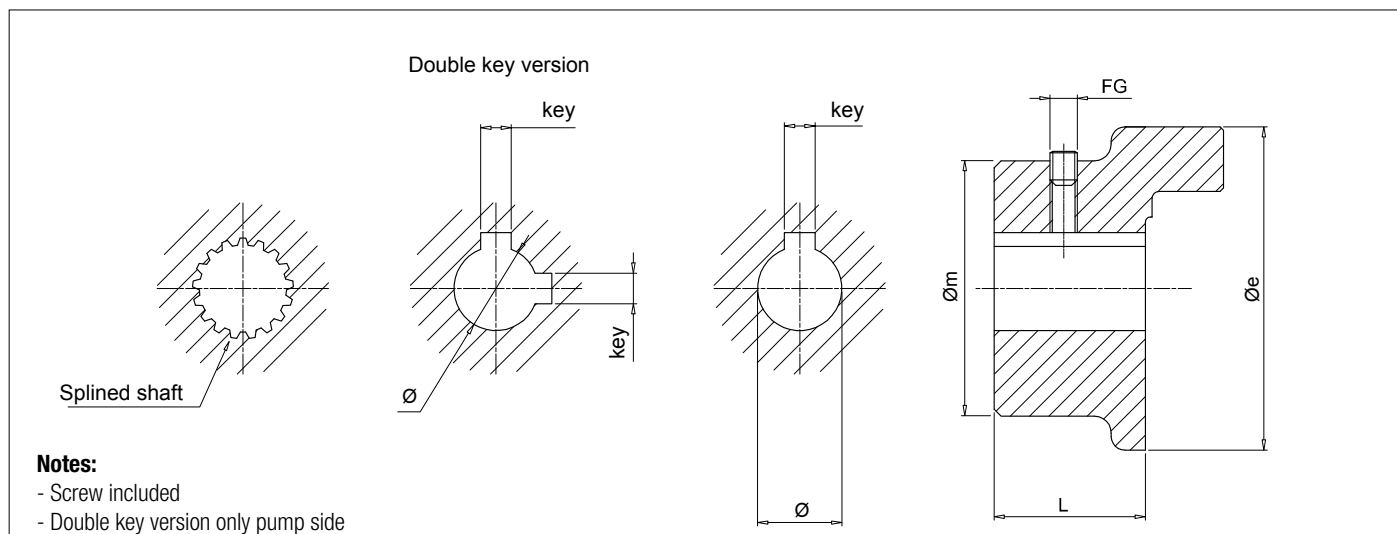
Half-coupling code	Dimensions [mm]				FG	Weight [kg]
	Ø min	Ø max	Øe	L		
SGEK01 *** **	11	19	44.0	25	M5	0.08
SGEK21 *** **	15	28	70.0	35	M6	0.10
SGEK31 *** **	18	42	85.0	45	M8	0.15
SGEK51 *** **	18	55	109.5	50	M8	0.35

Complete the half-coupling code with the shaft's code and length

Example: **SGEK51D02050**

D02 - see page 18

050 - table "pump half coupling - dimension L"


Notes:

- Screw included
- Double key version only pump side

Motor half-coupling

IEC - Electric motors		Half-coupling code	Dimensions [mm]							Weight [kg]
Motor size	Shaft end [Ø x L]		Øe	Øm	L	Ø	key	FG		
63	11x23	SGEG01M01021	40	50	21	11	4	M6	0.32	
71	14x30	SGEG01M02028	40	50	28	14	5	M6	0.42	
80	19x40	SGEG01M03040	40	50	40	19	6	M6	0.61	
90	24x50	SGEG01M04050	40	50	50	24	8	M6	0.77	
100 - 112	28x60	SGEG30M05060	80	65	60	28	8	M8	2.35	
		SGEG40M05060	95	75	60	28	8	M8	2.65	
132	38x80	SGEG30M06080	80	65	80	38	10	M8	3.15	
		SGEG40M06080	95	75	80	38	10	M8	3.55	
160	42x110	SGEG40M07110	95	75	110	42	12	M8	4.70	
180	48x110	SGEG40M08110	95	95	110	48	14	M8	4.55	
200	55x110	SGEG40M09110	95	95	110	55	16	M8	4.35	
		SGEG60M09110	120	98	110	55	16	M8	9.00	
225	60x140	SGEG60M10140	120	118	140	60	18	M8	12.30	
250	65x140	SGEG60M11140	120	118	140	65	18	M8	12.00	
		SGEG80M11140	160	138	140	65	18	M8	18.30	
280	75x140	SGEG80M12140	160	138	140	75	20	M10	17.70	
		SGEG90M12100	200	160	100	75	20	M10	21.00	
315	80x170	SGEG80M13170	160	138	170	80	22	M10	20.60	
		SGEG90M13100	200	160	100	80	22	M10	20.00	
355	95x140	SGEG90M15100	200	160	100	95	25	M10	19.00	
400	100x210	SGEG90M16100	200	160	100	100	28	M10	18.00	

Pump half-couplings

Half-coupling code	Dimensions [mm]				FG	Weight [kg]
	Ø min	Ø max	Øe	L		
SGEK40 *** **	-	55	95	50	M8	3
SGEK60 *** **	-	75	12	65	M8	6
SGEK80 *** **	-	85	160	85	M10	8

Complete the half-coupling code with the shaft's code and length

Example: **SGEK40PD02050**

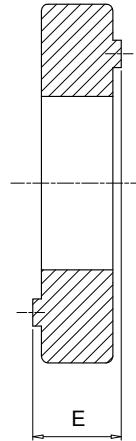
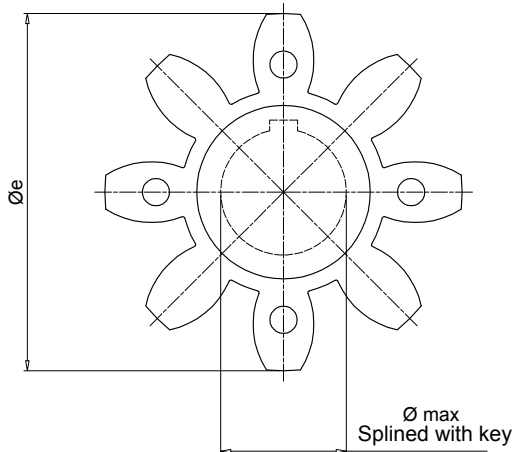
PD02 - see page 19

050 - table "pump half coupling - dimension L"

All SGEK/SGEK series half-couplings are supplied with a grub screw hole as standard, and with a grub screw **UNI 5929 DIN 916** fitted to the hub.

Note: For lengths other than those indicated in "Pump half-coupling" table, contact MP Filtri Technical and Sales Department.

Dimensions

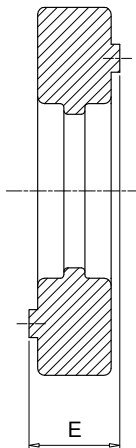
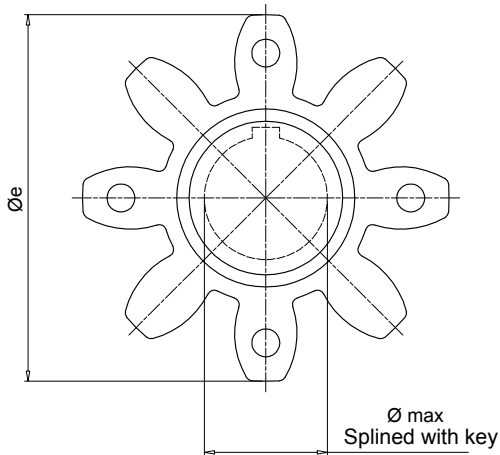


Notes:

Made of black oil-resistant rubber, these components serve to interconnect the two halves (motor - pump) of a flexible coupling.

EGE** series

Code	Half-coupling code		Dimensions [mm]			Nominal torque Nm	Max torque Nm	Weight [kg]
			E	Øe	Ø max			
		RCTAFIT						
EGE0	SGEA01 - SGEG01	SGEK01	15	40	16	10	20	0.006
EGE2	SGEA21	SGEK21	18	65	25	95	190	0.02
EGE3	SGEA31 - SGEG30	SGEK31	22	80	35	190	380	0.04
EGE5	SGEA51	SGEK51	26	105	45	310	620	0.06
EGE4	SGEG40 - SGES40	SGEK40	24	95	40	310	620	0.09
EGE6	SGEG60 - SGES60	SGEK60	28	120	55	430	860	0.13
EGE8	SGEG80 - SGES80	SGEK80	38	160	75	1250	2500	0.36



Notes:

Made in polyurethane Laripur - LPR202-95A, red colour, are suitable for applications where high levels of torque are transmitted.

EGE**RR series

Code	Half-coupling code		Dimensions [mm]			Nominal torque Nm	Max torque Nm	Weight [kg]
			E	Øe	Ø max			
		RCTAFIT						
EGE0RR	SGEA01 - SGEG01	SGEK01	15	40	16	15	30	0.006
EGE2RR	SGEA21	SGEK21	18	65	25	115	230	0.02
EGE3RR	SGEA31 - SGEG30	SGEK31	22	80	35	250	500	0.04
EGE5RR	SGEA51	SGEK51	26	105	45	400	800	0.06
EGE4RR	SGEG40 - SGES40	SGEK40	24	95	40	380	760	0.09
EGE6RR	SGEG60 - SGES60	SGEK60	28	120	55	550	1100	0.13
EGE8RR	SGEG80 - SGES80	SGEK80	38	160	75	1400	2900	0.36
EGE9RP	SGEG90	-	45	200	95	8900	9900	0.59

Version for extreme temperatures available on request.

For further information, contact MP Filtri Technical and Sales Department.

Metric cylindrical finish Keyway to DIN 6885 sheet 1

Size	Materials	Diameter / Key [mm]																									
		8	9	10	11	12	13	14	15	15	16	16	17	18	19	19	20	20	22	22	22	24	24	25	25		
		3	3	3	4	4	5	5	5	4	4	5	5	5	6	5	6	5	6	6	8	5	6	8	8	7	
01	Aluminium				•	•	•	•	•	•	•	•	•	•	•	•	•	•	•	•	•	•	•	•			
	Steel				•	•	•	•	•	•	•	•	•	•	•	•	•	•	•	•	•	•	•	•	•		
	Cast Iron				•	•	•	•	•	•	•	•	•	•	•	•	•	•	•	•	•	•	•	•	•		
21	Aluminium							•	•	•	•	•	•	•	•	•	•	•	•	•	•	•	•	•	•	•	
	Steel							•	•	•	•	•	•	•	•	•	•	•	•	•	•	•	•	•	•	•	
	Cast Iron							•	•	•	•	•	•	•	•	•	•	•	•	•	•	•	•	•	•	•	
31	Aluminium														•	•	•	•	•	•	•	•	•	•	•	•	
	Steel														•	•	•	•	•	•	•	•	•	•	•	•	
	Cast Iron														•	•	•	•	•	•	•	•	•	•	•	•	
40	Aluminium																										
	Steel				•	•	•	•	•	•	•	•	•	•	•	•	•	•	•	•	•	•	•	•	•	•	
	Cast Iron				•	•	•	•	•	•	•	•	•	•	•	•	•	•	•	•	•	•	•	•	•	•	
51	Aluminium														•	•	•	•	•	•	•	•	•	•	•	•	
	Steel														•	•	•	•	•	•	•	•	•	•	•	•	
	Cast Iron														•	•	•	•	•	•	•	•	•	•	•	•	
60	Aluminium																										
	Steel														•	•	•	•	•	•	•	•	•	•	•	•	
	Cast Iron														•	•	•	•	•	•	•	•	•	•	•	•	
80	Aluminium																										
	Steel														•	•	•	•	•	•	•	•	•	•	•	•	
	Cast Iron														•	•	•	•	•	•	•	•	•	•	•	•	
90	Aluminium																										
	Steel														•	•	•	•	•	•	•	•	•	•	•	•	
	Cast Iron														•	•	•	•	•	•	•	•	•	•	•	•	

Size	Materials	Diameter / Key [mm]																								
		28	30	30	32	32	35	35	38	40	42	45	48	50	52	55	60	63	65	70	75	80	82	90	95	100
		8	10	8	10	8	10	8	10	12	12	14	14	14	16	16	18	18	18	20	20	22	22	25	25	28
01	Aluminium																									
	Steel																									
	Cast Iron																									
21	Aluminium	•																								
	Steel	•																								
	Cast Iron																									
31	Aluminium	•	•	•	•	•	•	•	•																	
	Steel	•	•	•	•	•	•	•	•																	
	Cast Iron	•	•	•	•	•	•	•	•																	
40	Aluminium																									
	Steel	•	•	•	•	•	•	•	•	•	•	•	•													
	Cast Iron	•	•	•	•	•	•	•	•	•	•	•	•													
51	Aluminium	•	•	•	•	•	•	•	•	•	•	•	•	•	•	•										
	Steel																									
	Cast Iron																									
60	Aluminium																									
	Steel	•	•	•	•	•	•	•	•	•	•	•	•	•	•	•	•	•	•	•	•	•	•	•	•	•
	Cast Iron	•	•	•	•	•	•	•	•	•	•	•	•	•	•	•	•	•	•	•	•	•	•	•	•	•
80	Aluminium																									
	Steel	•	•	•	•	•	•	•	•	•	•	•	•	•	•	•	•	•	•	•	•	•	•	•	•	•
	Cast Iron	•	•	•	•	•	•	•	•	•	•	•	•	•	•	•	•	•	•	•	•	•	•	•	•	•
90	Aluminium																									
	Steel	•	•	•	•	•	•	•	•	•	•	•	•	•	•	•	•	•	•	•	•	•	•	•	•	•
	Cast Iron	•	•	•	•	•	•	•	•	•	•	•	•	•	•	•	•	•	•	•	•	•	•	•	•	•

Imperial cylindrical finish Keyway to DIN 6885 sheet 1

Size	Materials	Diameter / Key [mm]															
		11.11 3.18	12.7 3.18	13.45 3.18	15.87 4.76	15.87 3.97	17.46 4.76	19.02 3.17	19.05 4.76	19.05 6.35	22.22 4.76	22.22 6.35	22.22 4	25.4 6.35	25.4 4.76	26.94 4.76	28.58 6.35
01	Aluminium				•	•	•	•	•	•	•	•	•	•	•	•	•
	Steel				•	•	•	•	•	•	•	•	•	•	•	•	•
	Cast Iron				•	•	•	•	•	•	•	•	•	•	•	•	•
21	Aluminium							•	•	•	•	•	•	•	•	•	
	Steel							•	•	•	•	•	•	•	•	•	
	Cast Iron							•	•	•	•	•	•	•	•	•	
31	Aluminium							•	•	•	•	•	•	•	•	•	
	Steel							•	•	•	•	•	•	•	•	•	
	Cast Iron							•	•	•	•	•	•	•	•	•	
40	Aluminium																
	Steel				•	•	•	•	•	•	•	•	•	•	•	•	
	Cast Iron				•	•	•	•	•	•	•	•	•	•	•	•	
51	Aluminium							•	•	•	•	•	•	•	•	•	
	Steel							•	•	•	•	•	•	•	•	•	
	Cast Iron							•	•	•	•	•	•	•	•	•	
60	Aluminium																
	Steel							•	•	•	•	•	•	•	•	•	
	Cast Iron							•	•	•	•	•	•	•	•	•	
80	Aluminium																
	Steel							•	•	•	•	•	•	•	•	•	
	Cast Iron							•	•	•	•	•	•	•	•	•	
90	Aluminium																
	Steel												•	•	•	•	
	Cast Iron												•	•	•	•	

Size	Materials	Diameter / Key [mm]															
		28.58 7.94	31.75 6.35	31.75 7.94	34.94 7.94	38.1 9.52	41.27 9.52	41.6 12	44.45 11.11	47.63 12.7	50.8 12.7	53.94 12.7	60.33 15.88	60.33 12.7	73.03 19.05	85.73 22.23	92.07 22.22
01	Aluminium	•															
	Steel	•															
	Cast Iron	•															
21	Aluminium	•															
	Steel	•															
	Cast Iron	•															
31	Aluminium	•	•	•	•	•	•	•	•								
	Steel	•	•	•	•	•	•	•	•								
	Cast Iron	•	•	•	•	•	•	•	•								
40	Aluminium																
	Steel	•	•	•	•	•	•	•	•	•	•	•					
	Cast Iron	•	•	•	•	•	•	•	•	•	•	•					
51	Aluminium	•	•	•	•	•	•	•	•	•	•	•	•	•			
	Steel																
	Cast Iron																
60	Aluminium																
	Steel	•	•	•	•	•	•	•	•	•	•	•	•	•	•	•	•
	Cast Iron	•	•	•	•	•	•	•	•	•	•	•	•	•	•	•	•
80	Aluminium																
	Steel	•	•	•	•	•	•	•	•	•	•	•	•	•	•	•	•
	Cast Iron	•	•	•	•	•	•	•	•	•	•	•	•	•	•	•	•
90	Aluminium																
	Steel	•	•	•	•	•	•	•	•	•	•	•	•	•	•	•	•
	Cast Iron	•	•	•	•	•	•	•	•	•	•	•	•	•	•	•	•

SAE involute spline (angle 30°) - ANS.B.92.1.1970

Size	Materials	Nr. of th - Diametral pitch															
		9 16/32	10 16/32	11 16/32	12 16/32	13 16/32	14 16/32	15 16/32	21 16/32	23 16/32	27 16/32	33 16/32	40 16/33	14 12/24	16 12/24	17 12/24	13 8/16
01	Steel	•	•	•	•	•	•	•						•			
	Cast Iron	•	•	•	•	•	•	•						•			
21	Steel	•	•	•	•	•	•	•						•			
	Cast Iron	•	•	•	•	•	•	•						•			
31	Steel	•	•	•	•	•	•	•	•	•	•			•	•	•	•
	Cast Iron	•	•	•	•	•	•	•	•	•	•			•	•	•	•
40	Steel			•	•	•	•	•	•	•	•	•		•	•	•	•
	Cast Iron			•	•	•	•	•	•	•	•	•		•	•	•	•
60	Steel					•	•	•	•	•	•	•		•	•	•	•
	Cast Iron					•	•	•	•	•	•	•		•	•	•	•
80	Steel								•	•	•	•	•		•	•	•
	Cast Iron								•	•	•	•	•		•	•	•
90	Steel								•	•	•	•	•		•	•	•
	Cast Iron								•	•	•	•	•		•	•	•

Size	Materials	Nr. of th - Diametral pitch														
		15 8/16	17 8/16	20 24/48	21 24/48	23 24/48	25 24/48	26 24/48	28 24/48	29 24/48	32 24/48	23 40/80	36 48/96	41 48/96	47 48/96	33 32/64
01	Steel			•	•	•			•	•		•	•	•	•	
	Cast Iron			•	•	•			•	•		•	•	•	•	
21	Steel			•	•	•	•	•	•	•		•	•	•	•	
	Cast Iron			•	•	•	•	•	•	•		•	•	•	•	
31	Steel	•		•	•	•	•	•	•	•	•	•	•	•	•	
	Cast Iron	•		•	•	•	•	•	•	•	•	•	•	•	•	•
40	Steel	•	•	•	•	•	•	•	•	•	•	•	•	•	•	•
	Cast Iron	•	•	•	•	•	•	•	•	•	•	•	•	•	•	•
60	Steel	•	•	•	•	•	•	•	•	•	•			•	•	•
	Cast Iron	•	•	•	•	•	•	•	•	•	•			•	•	•
80	Steel	•	•								•					•
	Cast Iron	•	•								•					•
90	Steel	•	•								•					•
	Cast Iron	•	•								•					•

Spline bores to DIN 5480

Size	Materials	Nr. of th - Size										
		13 18x1.25	14 20x1.25	14 30x2	14 32x2	16 35x2	17 37x2	18 25x1.25	18 38x2	18 40x2	20 42x2	18 60x3
01	Steel	•	•									
	Cast Iron	•	•									
21	Steel	•	•	•	•	•		•				
	Cast Iron	•	•	•	•	•		•				
31	Steel	•	•	•	•	•	•	•				
	Cast Iron	•	•	•	•	•	•	•				
40	Steel	•	•	•	•	•	•	•	•	•	•	
	Cast Iron	•	•	•	•	•	•	•	•	•	•	
60	Steel	•	•	•	•	•	•	•	•	•	•	•
	Cast Iron	•	•	•	•	•	•	•	•	•	•	•
80	Steel				•	•	•		•	•	•	•
	Cast Iron				•	•	•		•	•	•	•
90	Steel								•	•	•	•
	Cast Iron								•	•	•	•

Size	Materials	Nr. of th - Size									
		21 28x1.25	21 45x2	22 70x3	24 32x1.25	24 50x2	26 55x2	28 60x2	29 38x1.25	34 70x2	38 80x2
01	Steel										
	Cast Iron										
21	Steel	•									
	Cast Iron	•									
31	Steel	•			•				•		
	Cast Iron	•			•				•		
40	Steel	•	•		•				•		
	Cast Iron	•	•		•				•		
60	Steel	•	•		•	•	•	•	•		
	Cast Iron	•	•		•	•	•	•	•		
80	Steel		•	•	•	•	•	•	•	•	•
	Cast Iron		•	•	•	•	•	•	•	•	•
90	Steel		•	•		•	•	•	•	•	•
	Cast Iron		•	•		•	•	•	•	•	•

Spline bores to DIN 5481

Size	Materials	Nr. of th - Size									
		28 8x10	30 10x12	31 12x14	32 15x17	33 17x20	34 21x24	35 26x30	36 38x34	41 60x65	
01	Steel	•	•	•	•	•	•				
	Cast Iron	•	•	•	•	•	•				
21	Steel	•	•	•	•	•	•	•			
	Cast Iron	•	•	•	•	•	•	•			
31	Steel			•	•	•	•	•	•		
	Cast Iron			•	•	•	•	•	•		
40	Steel							•	•	•	
	Cast Iron							•	•	•	
60	Steel								•	•	•
	Cast Iron								•	•	•
80	Steel										•
	Cast Iron										•
90	Steel										•
	Cast Iron										•

Spline bores to DIN 5482

Size	Materials	Nr. of th - Size															
		8 A15x12	9 A17x14	10 A18x15	12 A20x17	13 A22x19	14 A25x22	15 A28x25	16 A30x27	17 A32x28	18 A35x31	19 A38x34	20 A40x36	21 A42x38	22 A45x41	23 A48x44	24 A50x45
01	Steel	•	•	•	•	•	•										
	Cast Iron	•	•	•	•	•	•										
21	Steel	•	•	•	•	•	•	•	•	•	•						
	Cast Iron	•	•	•	•	•	•	•	•	•	•						
31	Steel							•	•	•	•	•					
	Cast Iron							•	•	•	•	•					
40	Steel																
	Cast Iron																
60	Steel																
	Cast Iron																
80	Steel																
	Cast Iron																
90	Steel																
	Cast Iron																

Size	Materials	Nr. of th - Size														
		25 A52x47	26 A55x50	27 A58x53	28 A60x55	29 A62x57	30 A65x60	31 A68x62	32 A70x64	33 A72x66	34 A75x69	35 A78x72	36 A80x74	37 A82x76	38 A85x79	39 A88x82
01	Steel															
	Cast Iron															
21	Steel															
	Cast Iron															
31	Steel															
	Cast Iron															
40	Steel	•	•													
	Cast Iron	•	•													
60	Steel	•	•	•	•	•	•	•								
	Cast Iron	•	•	•	•	•	•	•								
80	Steel	•	•	•	•	•	•	•	•	•	•	•	•	•	•	•
	Cast Iron	•	•	•	•	•	•	•	•	•	•	•	•	•	•	•
90	Steel	•	•	•	•	•	•	•	•	•	•	•	•	•	•	•
	Cast Iron	•	•	•	•	•	•	•	•	•	•	•	•	•	•	•

AKG series

IEC electric motor range from size 63 up to size 225



Technical data

Couplings - IEC electric motor range from size 63 up to size 225

Materials

- Hubs: Aluminium, cast iron, steel
- Spider materials: NBR rubber 87 Sh A
Polyurethane 95 Sh A

Compatibility with fluids

- Modular bell-housing components compatible for use with:
- Mineral oils types HH-HL-HM-HR-HV, to ISO 6743/4 standard
 - Water based emulsions types HFAE-HFAS, to ISO 6743/4 standard
 - Water glycol type HFC, to ISO 6743/4 standard: ask for anodized version

Special Applications

Any applications not covered by the normal indications contained in this catalogue must be evaluated and approved by MP Filtri Technical and Sales Department

Temperature

From -30 °C to +80 °C

Note

For temperatures outside this range, contact MP Filtri Technical and Sales Department



Standard ATEX Directive 2014/34/EU and UK Regulation S.I. 2016 No. 1107 (as amended).

On request, it's possible to certificate the AKG according to ATEX CAT. 2G - Areas 1 - 2

IEC Electric motors

Coupling size	European standard size						German standard size			IEC Motors size
	0.5	1	2	3	3.5	4	ZB	ZF	ZG	
AKG02	●	●	●				●			IEC 63 Ø140 - Ø11x23
AKG03	●	●	●				●			IEC 71 Ø160 - Ø14x30
AKG04 / AKG05	●	●	●	●			●	●		IEC 80 Ø200 - Ø19x40
AKG07	●	●	●	●			●	●		IEC 90 Ø200 - Ø24x50
AKG07		●	●	●	●		●	●		IEC 110 Ø250 - Ø28x60
AKG11		●	●	●	●		●	●		IEC 112 Ø250 - Ø28x60
AKG12		●	●	●	●		●	●	●	IEC 132 Ø300 - Ø38x80
AKG13			●	●	●		●	●	●	IEC 160 Ø350 - Ø42x110
AKG13			●	●	●		●	●	●	IEC 180 Ø350 - Ø48x110
AKG16			●	●	●		●	●	●	IEC 200 Ø400 - Ø55x110
AKG18			●	●	●		●	●	●	IEC 225 Ø450 - Ø60x140




KIT COUPLING FOR GEAR PUMPS

Motors identification code Configuration example:

Size	Size
02 63 B3-B5	13 180 B3-B5
03 71 B3-B5	43 63 B14
04 80 B3-B5	44 71 B14
05 90 B3-B5	45 80 B14
07 100/112 B3-B5	46 90 B14
11 132 B3-B5	48 100/112 B14
12 160 B3-B5	

Pump flange identification code
FS200 See pages 43 - 44 - 45

Pump identification code
Z Revision index

ATEX certification identification code
EX ATEX Directive 2014/34/EU and UK Regulation S.I. 2016 No. 1107 (as amended)   




KIT COUPLING FOR PISTON PUMPS VANES AND SCREWS

Motors identification code Configuration example:

Size	Size
M01 80 B3-B5	M07 200 B3-B5
M02 90 B3-B5	M08 225 B3-B5
M03 100/112 B3-B5	M09 250 B3-B5
M04 132 B3-B5	M10 280 B3-B5
M05 160 B3-B5	M11 315 B3-B5
M06 180 B3-B5	M12 355 B3-B5

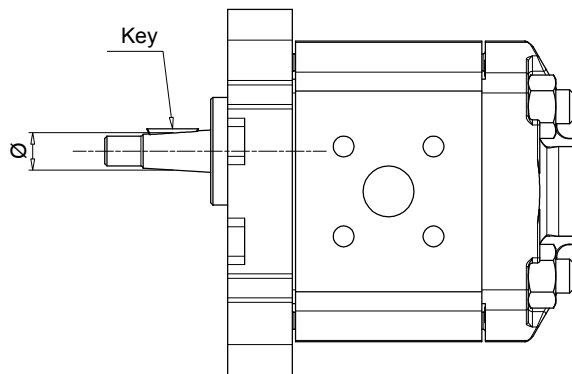
Electric motor identification code
M01 See software

Pump identification code
Z0000 See software

ATEX certification identification code
EX ATEX Directive 2014/34/EU and UK Regulation S.I. 2016 No. 1107 (as amended)   

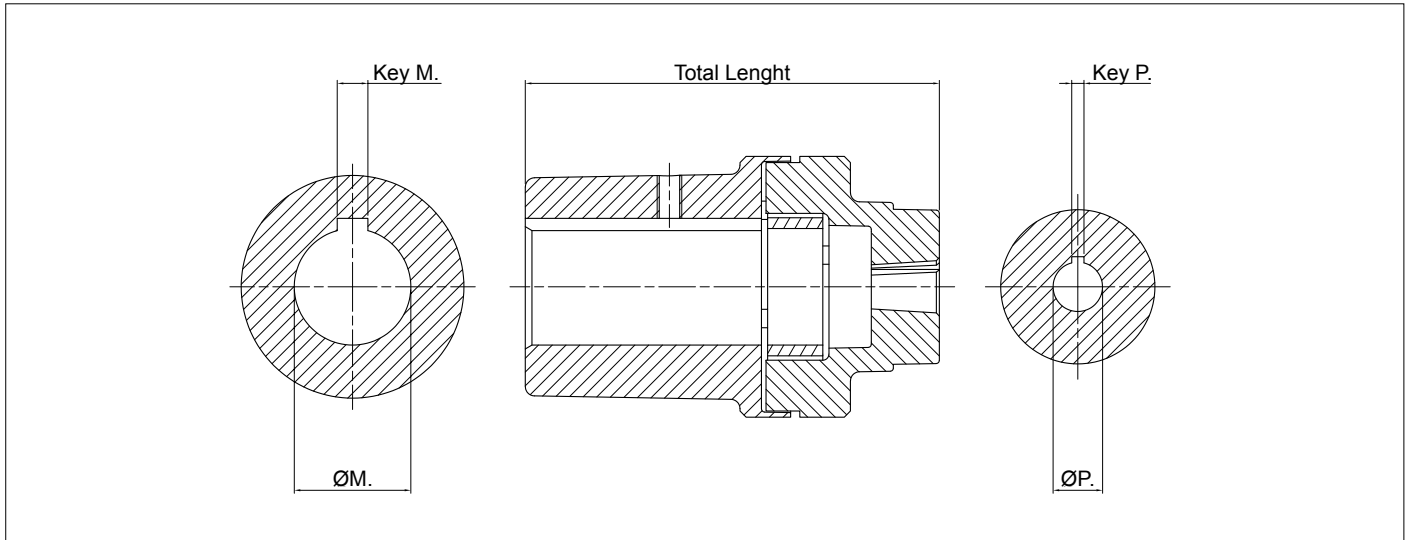
NOTE:

The complete code of the coupling kit can be selected following the selection of electric motor and hydraulic pump on the B&C selection software available on www.mpfiltri.com



Shaft identification

Pump group	d	Key	Shaft type	Pump half-coupling code
05	6.0	2.0	parallel	FS05M
	7.0	2.0	parallel	FS05C
1	9.7	2.4	tapered 1:8	FS100
	12.0	3.0	parallel	FS1C0
	13.9	3.0	tapered 1:8	FS1M0
2	17.2	3.2 - 4	tapered 1:8	FS200
	22.2	4.0	tapered 1:8	FS300
3	22.2	4.0	tapered 1:8	FS300
	22.2	4.0	tapered 1:8	FS300
	22.2	4.0	tapered 1:8	FS300
	22.2	4.0	tapered 1:8	FS300
3.5	25.6	4.76 - 5.0	tapered 1:8	FS350
	25.6	4.76 - 5.0	tapered 1:8	FS350
4	33.3	6.35 - 7.0	tapered 1:8	FS400
	33.3	6.35 - 7.0	tapered 1:8	FS400
Bosch	9.8	2.0	tapered 1:5	FSZBR
	16.9	3.0	tapered 1:5	FSZFR
	25.2	5.0	tapered 1:5	FSZGR



IEC Motors B3/5 - standard gear pump

IEC - Electric motors		Pump identification code	Components														
Motor size	Shaft end [Ø x L]		Motor half-coupling code	Spider code	Codice Semigiunto pompa	Complete coupling kit code	ØM.	Key M.	ØP.	Key P.	Tot. L.						
63	11x23	FS05M	SGEA01M01019	EGE 0	SGEA01FS05M	AKG02FS05MZEX	11	4	6	2	50						
		FS05C			SGEA01FS05C	AKG02FS05CZEX			7	2							
		FS100			SGEA01FS100	AKG02FS100ZEX			9.7-1.8	2.4							
		FS1C0			SGEA01FS1C0	AKG02FS1C0ZEX			12	3							
		FS1M0			SGEA01FS1M0	AKG02FS1MOZEX			13.9-1.8	3							
		FSZBR			SGEA01FSZBR	AKG02FSZBRZEX			9.8-1.5	2							
71	14x30	FS05M	SGEA01M02028	EGE 0	SGEA01FS05M	AKG03FS05MZEX	14	5	6	2	59						
		FS05C			SGEA01FS05C	AKG03FS05CZEX			7	2							
		FS100			SGEA01FS100	AKG03FS100ZEX			9.7-1.8	2.4							
		FS1C0			SGEA01FS1C0	AKG03FS1C0ZEX			12	3							
		FS1M0			SGEA01FS1M0	AKG03FS1MOZEX			13.9-1.8	3							
		FSZBR			SGEA01FSZBR	AKG03FSZBRZEX			9.8-1.5	2							
80	19x40	FS05M	SGEA01M03048	EGE 0	SGEA01FS05M	AKG04FS05MZEX	19	6	6	2	80						
		FS05C			SGEA01FS05C	AKG04FS05CZEX			7	2							
		FS100			SGEA01FS100	AKG04FS100ZEX			9.7-1.8	2.4							
		FS1C0			SGEA01FS1C0	AKG04FS1C0ZEX			12	3							
		FS1M0			SGEA01FS1M0	AKG04FS1MOZEX			13.9-1.8	3							
		FSZBR			SGEA01FSZBR	AKG04FSZBRZEX			9.8-1.5	2							
			FS200	SGEA21M03048	EGE 2	SGEA21FS200	AKG04FS200ZEX	19	6	17.2-1.8	3.5/4	94					
			FSZFR			SGEA21FSZFR	AKG04FSZFRZEX			16.9	3						
			FS05M			SGEA01M04048	EGE 0			SGEA01FS05M	AKG05FS05MZEX		24	8	6	2	80
			FS05C							SGEA01FS05C	AKG05FS05CZEX				7	2	
FS100	SGEA01FS100	AKG05FS100ZEX	9.7-1.8	2.4													
FS1C0	SGEA01FS1C0	AKG05FS1C0ZEX	12	3													
FS1M0	SGEA01FS1M0	AKG05FS1MOZEX	13.9-1.8	3													
FSZBR	SGEA01FSZBR	AKG05FSZBRZEX	9.8-1.5	2													
		FS200	SGEA21M04048	EGE 2	SGEA21FS200	AKG05FS200ZEX	24	8	17.2-1.8	3.5/4	94						
		FSZFR			SGEA21FSZFR	AKG05FSZFRZEX			16.9	3							
100 112	28x60	FS100	SGEA21M05055	EGE 2	SGEA21FS100	AKG07FS100ZEX	28	8	9.7-1.8	2.4	94						
		FS1C0			SGEA21FS1C0	AKG07FS1C0ZEX			12	3							
		FS1M0			SGEA21FS1M0	AKG07FS1MOZEX			13.9-1.8	3							
		FSZBR			SGEA21FSZBR	AKG07FSZBRZEX			25.2-1.5	5							
		FS200			SGEA21FS200	AKG07FS200ZEX			17.2-1.8	3.2/4							
		FSZFR			SGEA21FSZFR	AKG07FSZFRZEX			16.9-1.5	3							
		FS25T			SGEA21FS300	AKG07FS300ZEX			22.22-1.8	4							
		FS300			SGEA21FS300	AKG07FS300ZEX			22.22-1.8	4							
		FS3M0			SGEA21FS300	AKG07FS300ZEX			22.22-1.8	4							
		FS3T0			SGEA21FS300	AKG07FS300ZEX			22.22-1.8	4							

IEC Motors B3/5 - standard gear pump

IEC - Electric motors Motor size	Shaft end [Ø x L]	Pump identification code	Components															
			Motor half-coupling code	Spider code	Pump half-coupling code	Complete coupling kit code	ØM.	Key M.	ØP.	Key P.	Tot. L.							
132	38x80	FS100	SGEA31M06077	EGE 3	SGEA31FS100	AKG11FS100ZEX	38	10	9.7-1.8	2.4	135							
		FS1C0			SGEA31FS1C0	AKG11FS1C0ZEX			12	3								
		FS1M0			SGEA31FS1M0	AKG11FS1M0ZEX			13.9-1.8	3								
		FSZGR			SGEA31FSZGR	AKG11FSZGRZEX			25.2-1.5	5								
		FS200			SGEA31FS200	AKG11FS200ZEX			17.2-1.8	3.2/4								
		FSZFR			SGEA31FSZFR	AKG11FSZFRZEX			16.9-1.5	3								
		FS25T			SGEA31FS25T	AKG11FS25TZEX			22.22-1.8	4								
		FS300			SGEA31FS300	AKG11FS300ZEX			22.22-1.8	4								
		FS3M0			SGEA31FS3M0	AKG11FS3M0ZEX			22.22-1.8	4								
		FS3T0			SGEA31FS3T0	AKG11FS3T0ZEX			22.22-1.8	4								
		FS35M			SGEA31FS35M	AKG11FS35MZEX			25.6-1.5	4.76/5								
		FS350			SGEA31FS350	AKG11FS350ZEX			25.6-1.5	4.76/5								
160	42x110	FSZGR	SGEA51M07109	EGE 5	SGEA51FSZGR	AKG12FSZGRZEX	42	12	25.2-1.5	5	167							
		FS200			SGEA51FS200	AKG12FS200ZEX			17.2-1.8	3.2/4								
		FSZFR			SGEA51FSZFR	AKG12FSZFRZEX			16.9-1.5	3								
		FS25T			SGEA51FS25T	AKG12FS25TZEX			22.22-1.8	4								
		FS300			SGEA51FS300	AKG12FS300ZEX			22.22-1.8	4								
		FS3M0			SGEA51FS3M0	AKG12FS3M0ZEX			22.22-1.8	4								
		FS3T0			SGEA51FS3T0	AKG12FS3T0ZEX			22.22-1.8	4								
		FS35M			SGEA51FS35M	AKG12FS35MZEX			25.6-1.5	4.76/5								
		FS350			SGEA51FS350	AKG12FS350ZEX			25.6-1.5	4.76/5								
		180			48x110	FSZGR			SGEA51M08109	EGE 5		SGEA51FSZGR	AKG13FSZGRZEX	48	14	25.2-1.5	5	167
						FS200						SGEA51FS200	AKG13FS200ZEX			17.2-1.8	3.2/4	
						FSZFR						SGEA51FSZFR	AKG13FSZFRZEX			16.9-1.5	3	
FS25T	SGEA51FS25T		AKG13FS25TZEX	22.22-1.8		4												
FS300	SGEA51FS300		AKG13FS300ZEX	22.22-1.8		4												
FS3M0	SGEA51FS3M0		AKG13FS3M0ZEX	22.22-1.8		4												
FS3T0	SGEA51FS3T0		AKG13FS3T0ZEX	22.22-1.8		4												
FS35M	SGEA51FS35M		AKG13FS35MZEX	25.6-1.5		4.76/5												
FS350	SGEA51FS350		AKG13FS350ZEX	25.6-1.5		4.76/5												
200	55x110		FS200	SGEA51M09109		EGE 5	SGEA51FS200	AKG16FS200ZEX			55	16	17.2-1.8			3.2/4	167	
			FS300				SGEA51FS300	AKG16FS300ZEX					22.22-1.8			4		
			FS3M0				SGEA51FS3M0	AKG16FS3M0ZEX					22.22-1.8			4		
		FS35M	SGEA51FS35M		AKG16FS35MZEX		25.6-1.5	4.76/5										
		FS350	SGEA51FS350		AKG16FS350ZEX		25.6-1.5	4.76/5										
		FSZFR	SGEA51FSZFR		AKG16FSZFRZEX		16.9-1.5	3										
		FSZGR	SGEA51FSZGR		AKG16FSZGRZEX		25.2-1.5	5										
225	60x140	FS300	SGEG60M10110	EGE 6	SGEG60FS300	AKG18FS300ZEX	60	18	22.22-1.8	4	167							
		FS3M0			SGEG60FS3M0	AKG18FS3M0ZEX			22.22-1.8	4								
		FS35M			SGEG60FS35M	AKG18FS35MZEX			25.6-1.5	4.76/5								
		FS350			SGEG60FS350	AKG18FS350ZEX			25.6-1.5	4.76/5								
		FSZGR			SGEG60FSZGR	AKG18FSZGRZEX			25.2-1.5	5								
250	65x140	FS300	SGEG60M11140	EGE 6	SGEG60FS300	AKG20FS300ZEX	65	18	22.22-1.8	4	168							
		FS3M0			SGEG60FS3M0	AKG20FS3M0ZEX			22.22-1.8	4								
		FS35M			SGEG60FS35M	AKG20FS35MZEX			25.6-1.5	4.76/5								
		FS350			SGEG60FS350	AKG20FS350ZEX			25.6-1.5	4.76/5								
		FSZGR			SGEG60FSZGR	AKG20FSZGRZEX			25.2-1.5	5								
280	75x140	FS300	SGEG80M12140	EGE 8	SGEG80FS300	AKG22FS300ZEX	75	20	22.22-1.8	4	198							
		FS3M0			SGEG80FS3M0	AKG22FS3M0ZEX			22.22-1.8	4								
		FS35M			SGEG80FS35M	AKG22FS35MZEX			25.6-1.5	4.76/5								
		FS350			SGEG80FS350	AKG22FS350ZEX			25.6-1.5	4.76/5								
		FSZGR			SGEG80FSZGR	AKG22FSZGRZEX			25.2-1.5	5								
315	80x170	FS300	SGEG80M13170	EGE 8	SGEG80FS300	AKG26FS300ZEX	80	22	22.22-1.8	4	228							
		FS3M0			SGEG80FS3M0	AKG26FS3M0ZEX			22.22-1.8	4								
		FS35M			SGEG80FS35M	AKG26FS35MZEX			25.6-1.5	4.76/5								
		FS350			SGEG80FS350	AKG26FS350ZEX			25.6-1.5	4.76/5								
		FSZGR			SGEG80FSZGR	AKG26FSZGRZEX			25.2-1.5	5								

IEC Electric motors B14 mounting

IEC - Electric motors		Pump identification code	Components													
Motor size	Shaft end [Ø x L]		Motor half-coupling code	Spider code	Pump half-coupling code	Complete coupling kit code	ØM.	Key M.	ØP.	Key P.	Tot. L.					
63	11x23	FS05M	SGEA01M01019	EGE0	SGEA00FS05M	AKG43FS05MZEX	11	4	6	2	50					
		FS05C			SGEA01FS05C	AKG43FS05CZEX			7	2						
		FS100			SGEA01FS100	AKG43FS100ZEX			9.7-1:8	2.4						
		FS1C0			SGEA01FS1C0	AKG43FS1C0ZEX			12	3						
		FS1M0			SGEA01FS1M0	AKG43FS1M0ZEX			13.9-1:8	3						
		FSZBR			SGEA01FSZBR	AKG43FSZBRZEX			9.8-1:5	2						
71	14x30	FS05M	SGEA01M02028	EGE 0	SGEA01FS05M	AKG44FS05MZEX	14	5	6	2	59					
		FS05C			SGEA01FS05C	AKG44FS05CZEX			7	2						
		FS100			SGEA01FS100	AKG44FS100ZEX			9.7-1:8	2.4						
		FS1C0			SGEA01FS1C0	AKG44FS1C0ZEX			12	3						
		FS1M0			SGEA01FS1M0	AKG44FS1M0ZEX			13.9-1:8	3						
		FSZBR			SGEA01FSZBR	AKG44FSZBRZEX			9.8-1:5	2						
80	19x40	FS05M	SGEA01M03048	EGE 0	SGEA01FS05M	AKG45FS05MZEX	19	6	6	2	79					
		FS05C			SGEA01FS05C	AKG45FS05CZEX			7	2						
		FS100			SGEA01FS100	AKG45FS100ZEX			9.7-1:8	2.4						
		FS1C0			SGEA01FS1C0	AKG45FS1C0ZEX			12	3						
		FS1M0			SGEA01FS1M0	AKG45FS1M0ZEX			13.9-1:8	3						
		FSZBR			SGEA01FSZBR	AKG45FSZBRZEX			9.8-1:5	2						
	FS200	SGEA21M03048	EGE 2	SGEA21FS200	AKG45FS200ZEX	19	6	17.2-1:8	3.2/4	87						
				FSZFR	SGEA21FSZFR			AKG45FSZFRZEX	16.9		3					
90	24x50	FS05M	SGEA01M04048	EGE 0	SGEA01FS05M	AKG46FS05MZEX	24	8	6	2	79					
		FS05C			SGEA01FS05C	AKG46FS05CZEX			7	2						
		FS100			SGEA01FS100	AKG46FS100ZEX			9.7-1:8	2.4						
		FS1C0			SGEA01FS1C0	AKG46FS1C0ZEX			12	3						
		FS1M0			SGEA01FS1M0	AKG46FS1M0ZEX			13.9-1:8	3						
		FSZBR			SGEA01FSZBR	AKG46FSZBRZEX			9.8-1:5	2						
	FS200	SGEA21M04048	EGE 2	SGEA21FS200	AKG46FS200ZEX	24	8	17.2-1:8	3.5/4	87						
				FSZFR	SGEA21FSZFR			AKG46FSZFRZEX	16.9		3					
100 112	28x60	FS05M	SGEA21M05055	EGE 2	SGEA21FS05M	AKG48FS05MZEX	28	8	6	2	94					
		FS05C			SGEA21FS05C	AKG48FS05CZEX			7	2						
		FS100			SGEA21FS100	AKG48FS100ZEX			9.7-1:8	2.4						
		FS1C0			SGEA21FS1C0	AKG48FS1C0ZEX			12	3						
		FS1M0			SGEA21FS1M0	AKG48FS1M0ZEX			13.9-1:8	3						
		FSZBR			SGEA21FSZBR	AKG48FSZBRZEX			9.8-1:5	2						
		FS200			SGEA21FS200	EGE 2			SGEA21FS200	AKG48FS200ZEX		28	8	17.2-1:8	3.5/4	94
									FSZFR	SGEA21FSZFR				AKG48FSZFRZEX	16.9	

SGDR series

Curved-tooth steel gear coupling



Technical data

Couplings - Curved-tooth steel gear coupling

Gear couplings materials

Couplings: Steel C40

Sleeve: Polyamide PA66 Blue color

Compatibility with fluids

- Mineral oils types HH-HL-HM-HR-HV, to ISO 6743/4 standard
- Water based emulsions types HFAE-HFAS, to ISO 6743/4 standard
- Water glycol type HFC, to ISO 6743/4 standard: ask for anodized version

Special Applications

Any applications not covered by the normal indications contained in this catalogue must be evaluated and approved by MP Filtri Technical and Sales Department

Temperature

Sleeve Polyamide PA66: from -20 °C to +90 °C

Note

For temperatures outside this range, contact MP Filtri Technical and Sales Department



IEC Electric motors

IEC Electric Motors size	C40 Carbon Steel				
	Shaft ISO 3019-2	Shaft ANSI B92. 1A 1976	Shaft DIN 5480	Shaft DIN 5481	Shaft DIN 5482
IEC 80 Ø200 - Ø19x40	●	●	●	●	●
IEC 90 Ø200 - Ø24x50	●	●	●	●	●
IEC 100 Ø250 - Ø28x60	●	●	●	●	●
IEC 112 Ø250 - Ø28x60	●	●	●	●	●
IEC 132 Ø300 - Ø38x80	●	●	●	●	●
IEC 160 Ø350 - Ø42x110	●	●	●	●	●
IEC 180 Ø350 - Ø48x110	●	●	●	●	●
IEC 200 Ø400 - Ø55x110	●	●	●	●	●

BLANK HALF-COUPLING

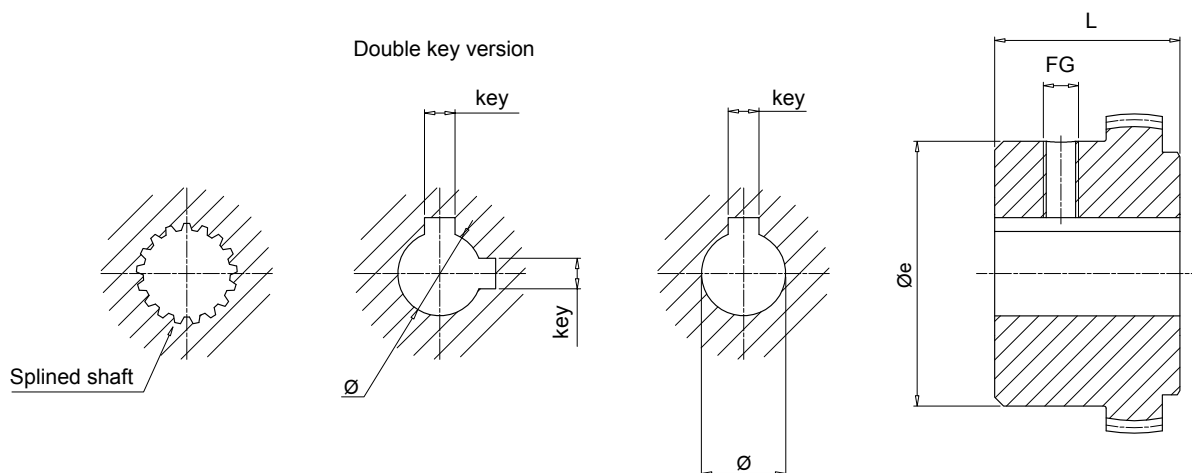
Pump half-coupling SGDR	Configuration example: SGDR 28 PB
Size 28 42 55	
Without bore PB	

HALF-COUPLING FOR PARALLEL SHAFT

Pump half-coupling SGDR	Configuration example: SGDR 28 G02 040 2E
Size 28 42 55	
Bore size code G02 See page 18	
Length 040 See page 50	
Double key way (available combinations only) 2E See page 18 (Parallel shaft - double key only)	

HALF-COUPLING FOR SPLINED SHAFT

Pump half-coupling SGDR	Configuration example: SGDR 28 PD02 040
Size 28 42 55	
Bore size code PD02 See page 19	
Length 040 See page 50	



Notes:

- Screw included
- Double key version only pump side

Motor half-coupling

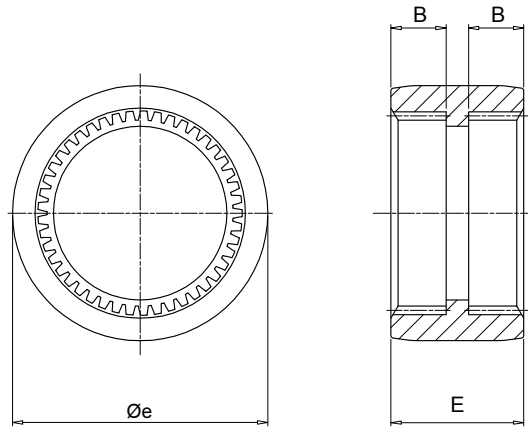
IEC - Electric motors		Half-coupling code	Dimensions [mm]					Weight [kg]
Motor size	Shaft end [Ø x L]		Øe	L	Ø	key	Fg	
80	19x40	SGDR28M03040	45	40	19	6	M6	0.5
90	24x50	SGDR28M04040	45	40	24	8	M6	0.5
100-112	28x60	SGDR28M05040	45	40	28	8	M6	0.5
132	38x80	SGDR42M06042	60	42	38	10	M8	1.0
160	42x110	SGDR42M07042	60	42	42	12	M8	1.0
180	48x110	SGDR55M08060	84	60	48	14	M8	2.5
200	55x110	SGDR55M09060	84	60	55	16	M8	2.5

Pump half-couplings

Half-coupling code	Dimensions [mm]		Weight [kg]
	Øe	L	
SGDR28***	45	40	0.5
SGDR42***	60	42	1.0
SGDR55***	84	60	2.5

Complete the half-coupling designation with the pump interface code and the length.

Example: **SGDR280PD02050** (see page 19).



Sleeve

Code	Half-coupling code	Dimensions [mm]			Nominal torque [Nm]	Maximum torque [Nm]	Weight [kg]
		Øe	E	B			
EGR066PA	SGDR28	66	38	16	30	90	0.050
EGR090PA	SGDR42	90	52	22	120	360	0.150
EGR125PA	SGDR55	125	65	27	200	600	0.371

COMPONENTS FOR e-PTO SYSTEMS



e-PTO CONCEPT

Designed to power the onboard hydraulic systems of heavy vehicles, such as waste collection vehicles and cranes, the e-PTO uses the electric energy of a Banke e-PTO instead of traditional diesel. This innovation represents a significant step towards sustainability and energy efficiency in the industrial vehicle sector.

One of the main advantages of the e-PTO is its quiet operation and zero CO₂ emissions. This system allows for up to a 50% reduction in the energy consumed by onboard hydraulic systems.

The e-PTO system consists of:

- **Aluminum lantern:** customizable based on the pump mounted by the manufacturer
- **Steel half-coupling:** engine side with integrated shaft, ensuring robustness and reliability
- **Polyurethane elastic insert:** for a flexible and durable connection
- **Pump side half-coupling:** customizable based on the mounted pump
- **Hydraulic pump:** chosen by the manufacturer for equipment movement
- **Intelligent electronic control system:** manages the entire process to ensure efficiency and reliability.

Versatile Applications

The e-PTO is particularly suitable for vehicle outfitters who build:

- Aerial platforms
- Mezzi per la pulizia delle strade
- Street cleaning vehicle
- Aerial handling vehicles

Technical data

Couplings - Solutions for e-PTO

Half-couplings materials

SGES: Steel C40

Spider materials

EGE**RR series: in polyurethane Laripur - 92 Shore A - LPR202-95A - red colour

Compatibility with fluids

- Mineral oils types HH-HL-HM-HR-HV, to ISO 6743/4 standard
- Water based emulsions types HFAE-HFAS, to ISO 6743/4 standard
- Water glycol type HFC, to ISO 6743/4 standard: ask for anodized version

Temperature

Spider polyurethane resin: from -30 °C to +120 °C

Note

For temperatures outside this range, contact MP Filtri Technical and Sales Department

Ordering code

Motor half-coupling code: **SGES21IS04156**


The MP Filtri solution includes

Customisable pump-side half-coupling situated on the mounted pump

Polyurethane elastic insert

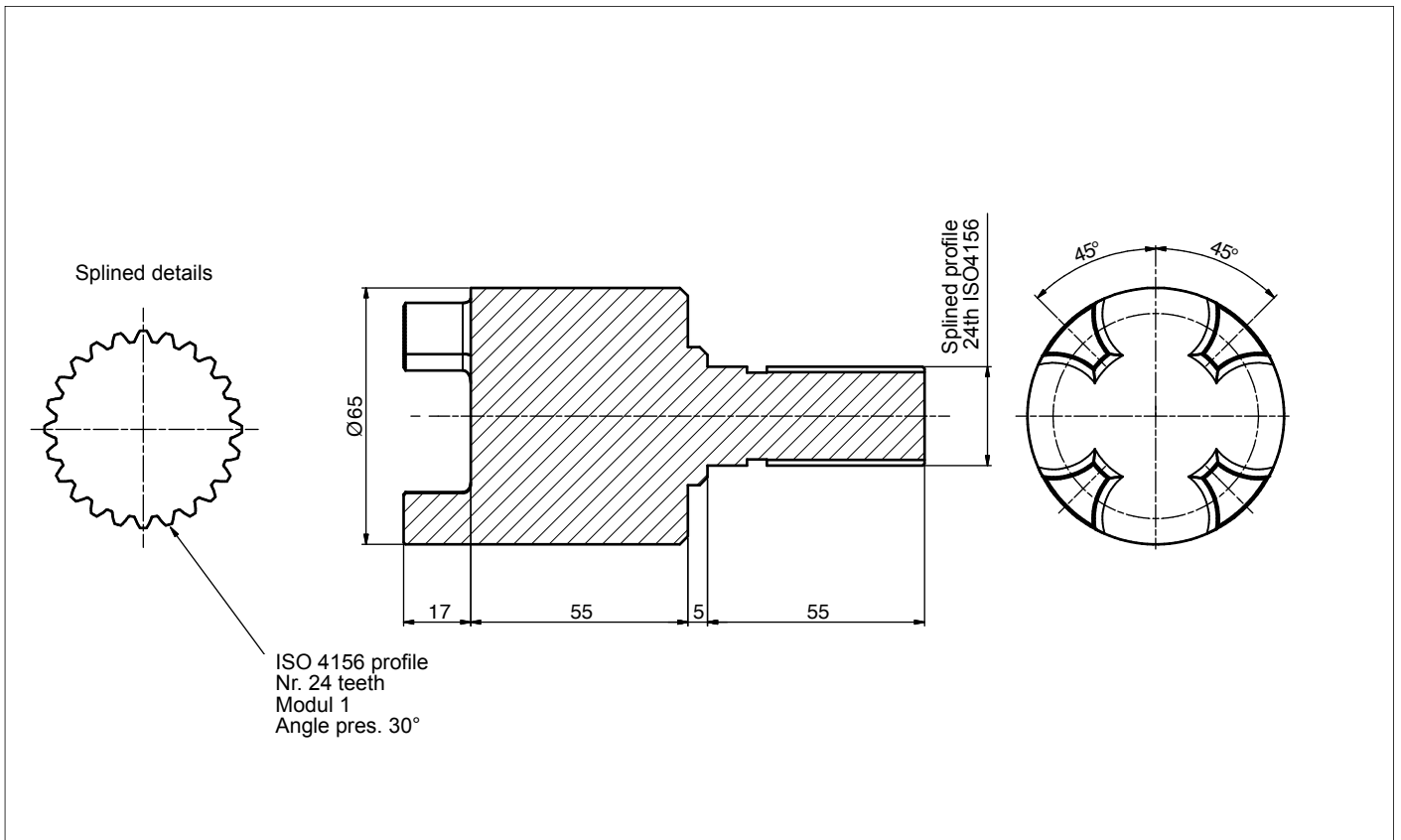
New motor-side steel half-coupling with integrated shaft

Aluminium bell-housing customisable according to the mounted pump



e-PTO Brochure

Dimensions



Notes:

Please contact the Technical Department to discuss possible combinations between the electric motor installed on the machine and the pump mounted on the vehicle.

All data, details and words contained in this publication are provided for use by technically qualified personnel at their discretion, without warranty of any kind.

MP Filtri reserves the right to make modifications to the models and versions of the described products at any time for both technical and/or commercial reasons.

For updated information please visit our website: www.mpfiltri.com

The colors and the pictures of the products are purely indicative.

Any reproduction, partial or total, of this document is strictly forbidden.

All rights are strictly reserved

WORLDWIDE NETWORK

CANADA ♦ CHINA ♦ FRANCE ♦ GERMANY ♦ INDIA ♦ SINGAPORE
UNITED ARAB EMIRATES ♦ UNITED KINGDOM ♦ USA



PASSION  PERFORM

in   



mpfiltri.com

MP Filtri reserves the right to make modifications to the models and versions of the described products at any time for both technical and/or commercial reasons. For updated information please visit our website: www.mpfiltri.com. The colors and the pictures of the products are purely indicative. Any reproduction, partial or total, of this document is strictly forbidden. All rights are strictly reserved.

MF001000022
EN - 2024.09