

# SME 1 - SMF 1 - SML 1 series

Risers for breathers and filler caps installation



### Technical data

#### Air breathers & Filler plugs

#### Risers for breathers and filler caps installation

SME/SMF/SML are ranges of risers for installation of the breathers and filler caps in any place on the tank. They make the maintenance operation easy and fast.

#### Available features:

- SME: vertical riser made of polyamide for nylon tanks, mainly used in the mobile machines
- SMF: sloping riser made of polyamide for nylon tanks, mainly used in the mobile machines
- SML: sloping riser made of aluminium for metal tanks, mainly used in the industrial equipment and heavy-duty applications

#### Materials SME

- Body: Nylon
- Seals: NBR  
Cork gasket
- Screws: Phosphatized steel  
Galvanized steel

#### Materials SMF

- Body: Nylon
- Seals: NBR  
Cork gasket
- Screws: Phosphatized steel  
Galvanized steel

#### Materials SML

- Body: Aluminium
- Seals: NBR  
Cork gasket
- Screws: Phosphatized steel

#### Temperature

From -25 °C to +100 °C

#### Weight

- SME - 0.250 kg
- SMF - 0.325 kg
- SML - 0.380 kg

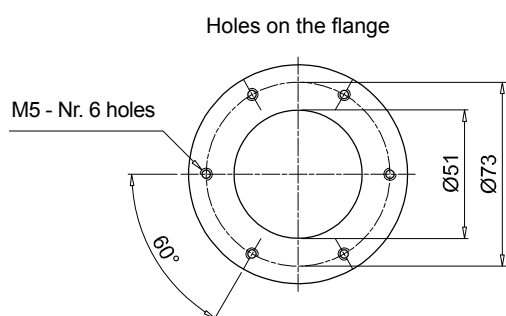
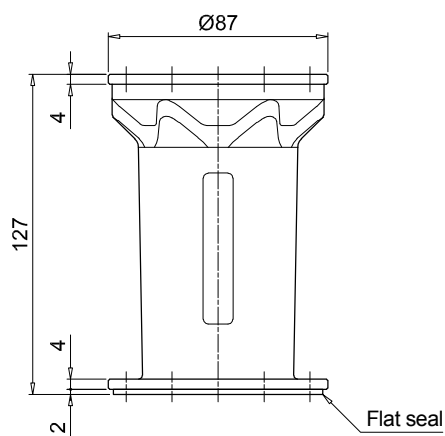
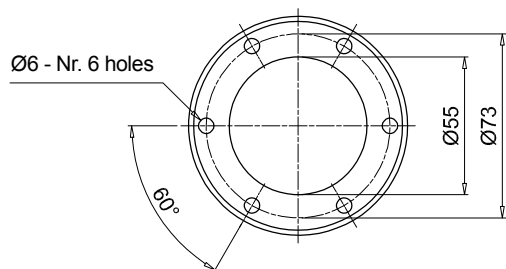


### Designation & Ordering code

#### SME / SMF / SML

Series and size		Configuration example: <b>SMF1</b> <b>M</b> <b>A</b> <b>P01</b>			
<b>SME1</b>	Polyamide vertical riser				
<b>SMF1</b>	Polyamide sloping riser				
<b>SML1</b>	Aluminium sloping riser				
Connections to the tank					
<b>M</b>	Metric screws				
<b>U</b>	UNC screws				
Seals					
<b>A</b>	NBR				
Execution		Series			
		SME1	SMF1	SML1	
<b>P01</b>	MP Filtri standard		•	•	
<b>P02</b>	Standard without logo	•			
<b>Pxx</b>	Customized	•	•	•	

SME1



# SME 1-SMF 1-SML 1

## Dimensions

